

Model 7202A Accelerometer



Internally Shielded IEPE Accelerometer
Integral Welded Strain Relief
+130°C Operating Temperature
Hermetically Sealed



The **Model 7202A** is a case isolated high temperature IEPE accelerometer with internal shielding. The accelerometer has a flat bandwidth up to 15kHz with a resonant frequency greater than 40kHz. The Model 7202A is available in ± 10 to $\pm 500g$ ranges and has an operating temperature range up to +130°C. The unit is hermetically sealed and features an integral strain relief with an ETFE jacketed cable.

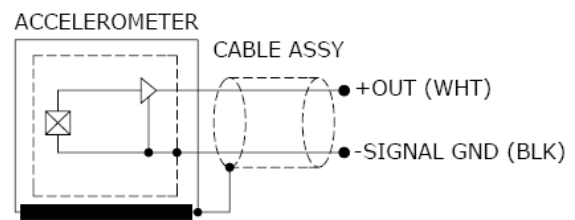
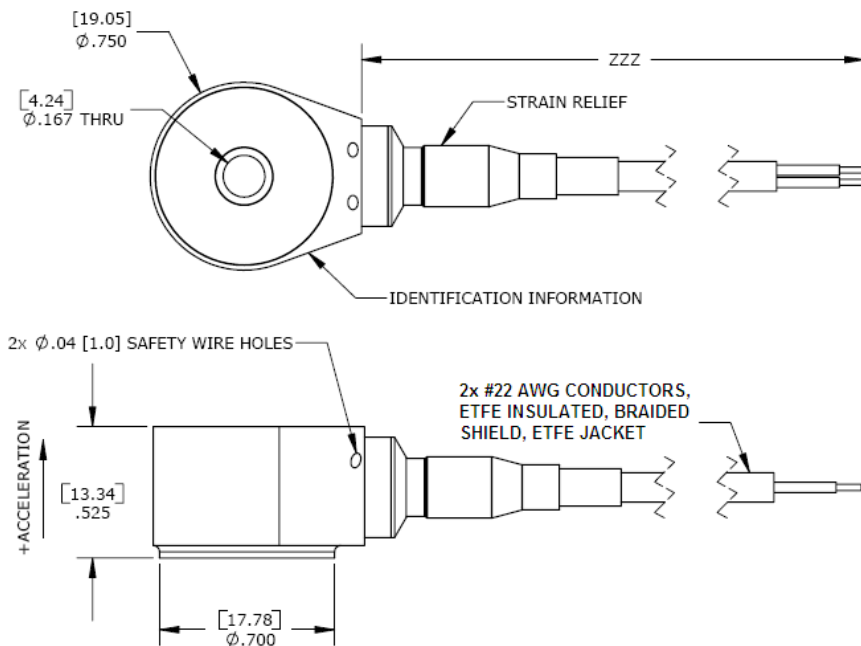
FEATURES

- $\pm 10g$ to $\pm 500g$ Dynamic Range
- Wide bandwidth up to 15kHz
- Case Isolated, Internally Shielded
- Hermetically Sealed
- Annular Shear Mode
- Through Hole Mount
- Stable Temperature Response
- Integral Strain Relief

APPLICATIONS

- Health Usage Monitoring Systems
- Machinery Monitoring
- Gearbox Vibration Monitoring
- High Frequency Applications
- Harsh Environments

Dimensions



Model 7202A Accelerometer

Performance Specifications

All values are typical at +24°C, 100Hz and 4mA excitation unless otherwise stated. Measurement Specialties reserves the right to update and change these specifications without notice. Measurement Specialties' family of [AC Response Plug & Play Accelerometers](#) is used for shock and vibration testing and structural analysis. These piezoelectric sensors come with or without built-in charge amplifier.

Parameters

DYNAMIC

	±10	±50	±500	Notes
Range (g)	±10	±50	±500	
Sensitivity (mV/g)	500	100	10	
Frequency Response (Hz)	1-4000	1-5000	1-10000	±5%
Frequency Response (Hz)	0.6-8000	0.6-10000	0.6-20000	±1dB ²
Natural Frequency (Hz)	25000	33000	44000	
Non-Linearity (%FSO)	±1	±1	±1	
Transverse Sensitivity (%)	<5	<5	<5	
Shock Limit (g)	5000	5000	5000	
Residual Noise (g RMS)	0.0003	0.0001	0.00025	

ELECTRICAL

Compliance Voltage (Vdc)	18 to 30			
Excitation Current (mA)	2 to 20			
Bias Voltage (Vdc)	8 to 12			Room Temperature
Bias Voltage (Vdc)	6 to 13			-55 to +130°C
Output Impedance (Ω)	<100			
Full Scale Output Voltage (V)	±5			
Discharge Time Constant (sec)	0.8 to 1.2			
Warm-Up Time (sec)	2			
Case Grounding	Case Isolated, Internally Shielded			

ENVIRONMENTAL

Temperature Response (%)	See Typical Temperature Response Curve			
Operating Temperature (°C)	-55 to +130			See Note 1
Storage Temperature (°C)	-55 to +130			See Note 1
Humidity	Hermetically Sealed			

PHYSICAL

Sensing Element	Ceramic (shear mode)			
Case Material	Stainless Steel			
Cable	#22 AWG ETFE Insulated Leads, Braided Shield, Crosslinked ETFE Jacket			
Weight (grams)	23			Cable not included
Mounting	Through Hole (#8 or M4 cap screw)			
Mounting Torque	20 lb-in (2.3 N-m)			

¹ Contact factory for +150°C temperature option.

Calibration supplied: CS-FREQ-0100 NIST Traceable Amplitude Calibration from 20Hz to ±1dB Frequency Response Limit²

Supplied accessories: 1x #8-32 Mounting Screw (3/4 inch length)

Optional accessories: 161A 4-Channel PE & IEPE Signal Conditioner

Ordering Info

PART NUMBERING Model Number+Range

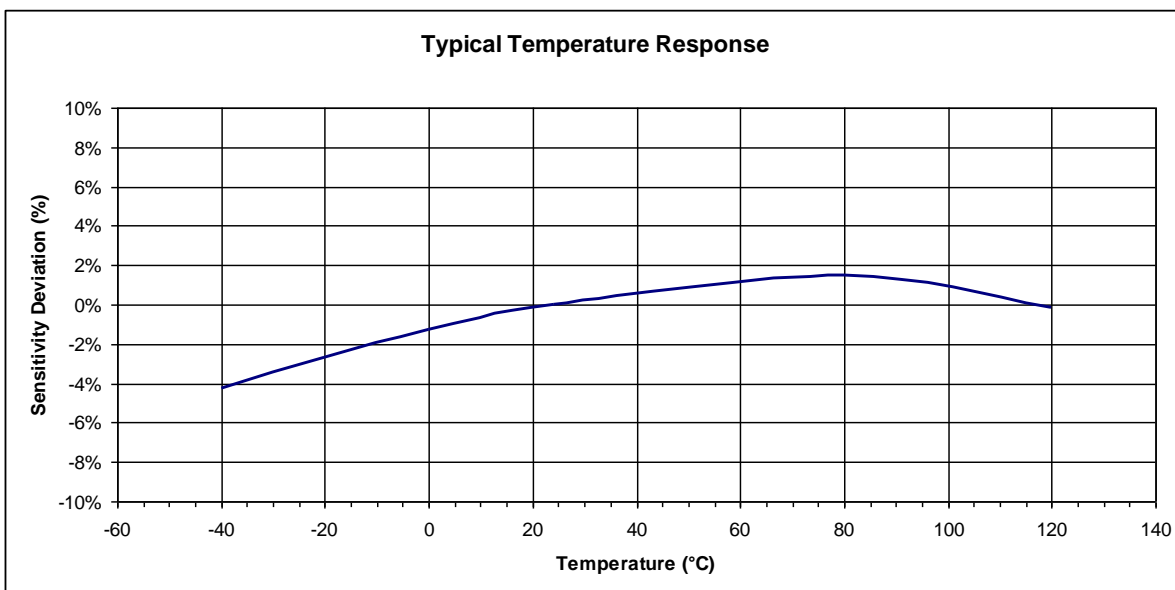
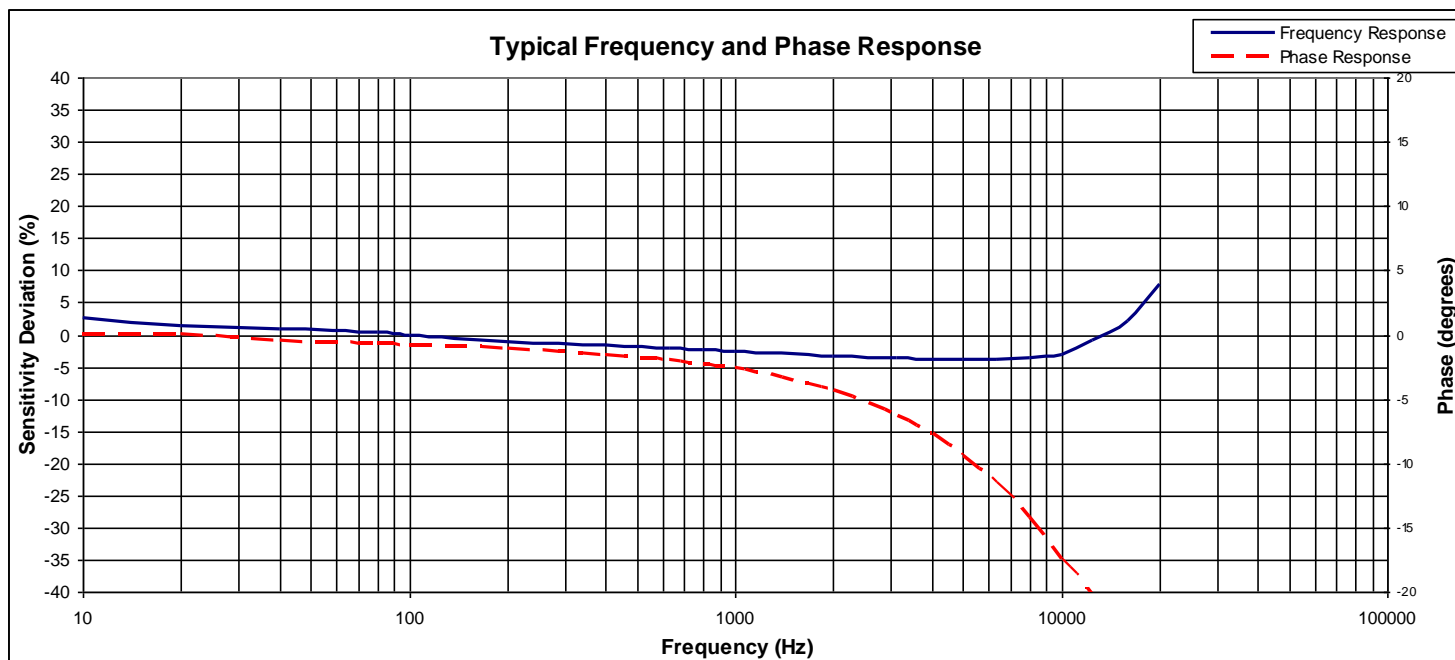
7202A-GGGG

|
| _____ Range (0500 is 500g)

Example: 7202A-0500
Model 7202A, 500g

Model 7202A Accelerometer

Performance Specifications



联系方式



深圳市亿为测控电子有限公司
Shenzhen Bill-Well Measurement & Control Electronics Co., Ltd.

广东省深圳市南山区创业路怡海广场东座2407 邮编：518000

电话：+86 755 2641 9890 传真：+86 755 2641 9680

电子邮箱：sales@bill-well.com