

Model 7109A Accelerometer



IEPE Shock Accelerometer
±5,000g to ±20,000g Ranges
Filtered Output
Miniature, Stud Mount

The **Model 7109A** is a miniature stud mount IEPE shock accelerometer available in ±5,000g to ±20,000g ranges. The accelerometer features a welded hermetic stainless steel construction with an integral cable for electrical connection. The model 7109A incorporates a stable piezo-ceramic crystal in annular shear mode with outstanding linearity for shock measurements. The accelerometer has an operating range of 0°C to +85°C and a flat frequency response to >10kHz.

FEATURES

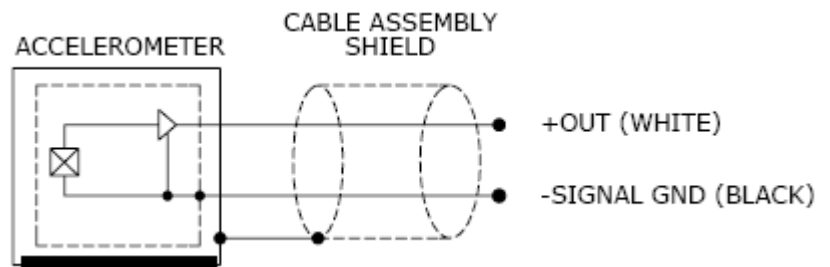
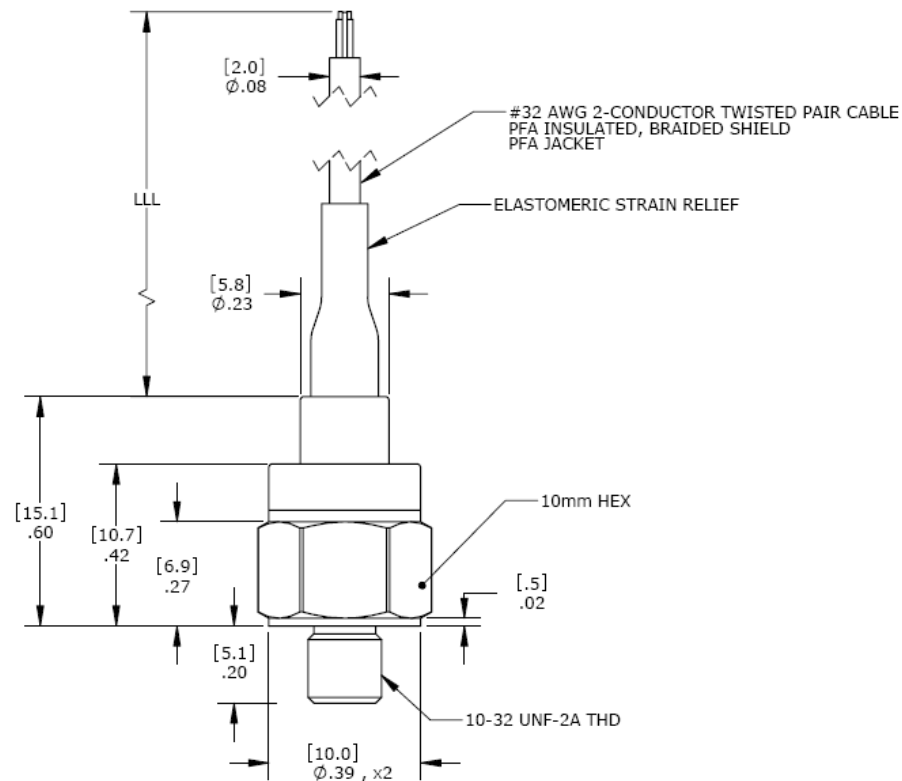
- ±5,000g to ±20,000g Dynamic Range
- Welded Stainless Steel
- Hermetically Sealed
- 0°C to +85°C Operating Range
- Annular Shear Mode
- Case Isolated, Internally Shielded

APPLICATIONS

- Far-field Shock Testing
- Drop Testing
- Structural Testing
- Impact Testing



dimensions



Model 7109A Accelerometer

performance specifications

All values are typical at +24°C, 100Hz and 4mA excitation unless otherwise stated. Measurement Specialties reserves the right to update and change these specifications without notice. Standard product parameters are described in PSC-1003 for Plug & Play AC Accelerometers.

Parameters

DYNAMIC

Range (g)	±5,000	±10,000	±20,000
Sensitivity (mV/g)	1.00	0.50	0.25
Frequency Response (Hz)	2-8000	2-10000	2-10000
Filter Corner Frequency (-3dB)	25000	25000	25000
Natural Frequency (kHz)	>80	>90	>90
Non-Linearity (%FSO)	±1	±1	±1
Transverse Sensitivity (%)	<5	<5	<5
Shock Limit (g)	±50,000	±50,000	±50,000

Notes

±25%
±1dB
-40dB/decade rolloff

ELECTRICAL

Compliance Voltage (Vdc)	18 to 30	18 to 30	18 to 30
Excitation Current (mA)	2 to 10	2 to 10	2 to 10
Bias Voltage (Vdc)	8 to 12	8 to 12	8 to 12
Bias Voltage (Vdc)	6 to 13	6 to 13	6 to 13
Output Impedance (Ω)	<100	<100	<100
Insulation Resistance (MΩ)	>50	>50	>50
Full Scale Output Voltage (V)	±5	±5	±5
Residual Noise (g RMS)	0.06	0.04	0.03
Discharge Time Constant (sec)	1 to 3		
Warm-Up Time (sec)	<5		
Ground Isolation	Case Isolated, Internally Shielded		

Room Temperature
-55 to +125°C

@100Vdc

Broadband 1Hz to 10kHz

ENVIRONMENTAL

Temperature Response (%)	See Typical Temperature Response Curve
Operating Temperature (°C)	0 to +85
Storage Temperature (°C)	-55 to +125
Humidity	Hermetically Sealed

PHYSICAL

Sensing Element	Ceramic (shear mode)
Case Material	Stainless Steel
Cable	#32 AWG PFA Insulated Leads, Braided Shield, PFA Jacket
Weight (grams)	5
Mounting	#10-32 or M5x0.8 Mounting Stud
Mounting Torque	18 lb-in (2.0 N-m)

See Note 1
Cable not included

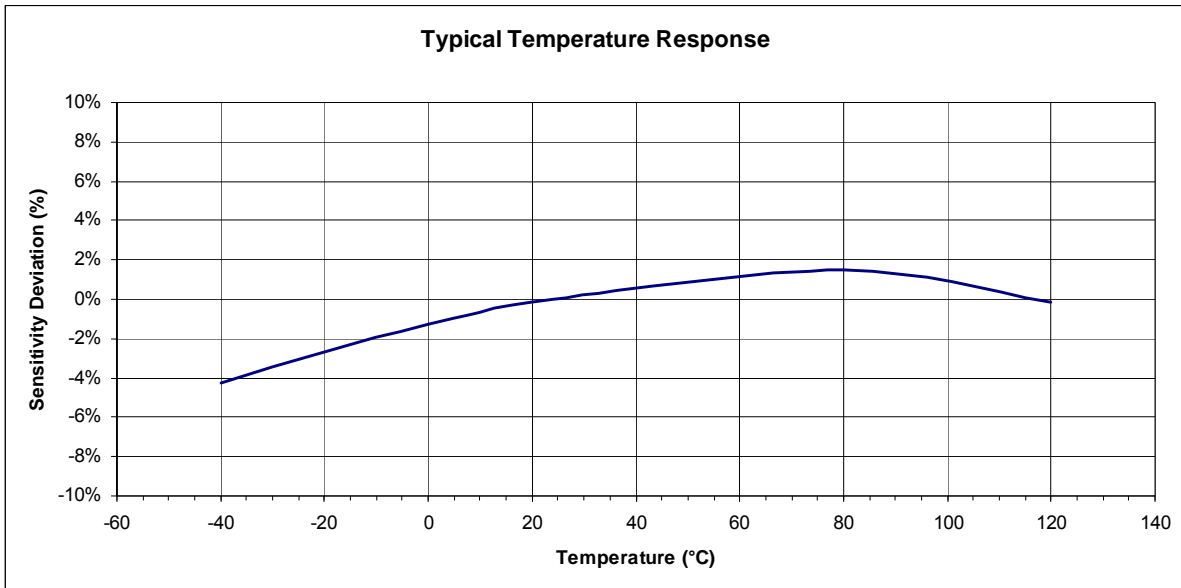
¹ A 10-32 Connector Option is Available, Installed at End of Cable Leads

Calibration supplied: CS-SKLIN NIST Traceable Shock Calibration at 5000g

Optional accessories: 161A 4-Channel PE & IEPE Signal Conditioner

Model 7109A Accelerometer

performance specifications



ordering info

PART NUMBERING Model Number+Range+Cable Length

7109A-GGG-LLL-XX

| | | Thread Option Dash Number

| | Cable Length (120 is 120 inches)

| Range (10K is 10,000g)

Dash Number

-01

-02

Thread Options

#10-32 UNF-2B

M5 x 0.8 6g

Example: 7109A-10K-120-01

Model 7109A, 10,000g, 120inch cable length, #10-32 UNF-2B stud

联系方式



深圳市亿为测控电子有限公司
Shenzhen Bill-Well Measurement & Control Electronics Co., Ltd.

广东省深圳市南山区创业路怡海广场东座2407 邮编：518000

电话：+86 755 2641 9890 传真：+86 755 2641 9680

电子邮箱：sales@bill-well.com

www.bill-well.com

深圳市亿为测控电子有限公司