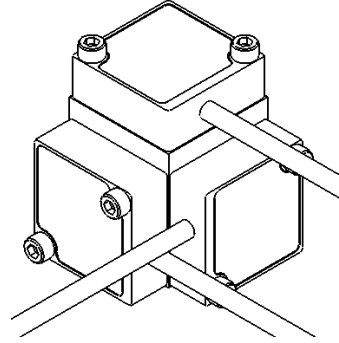
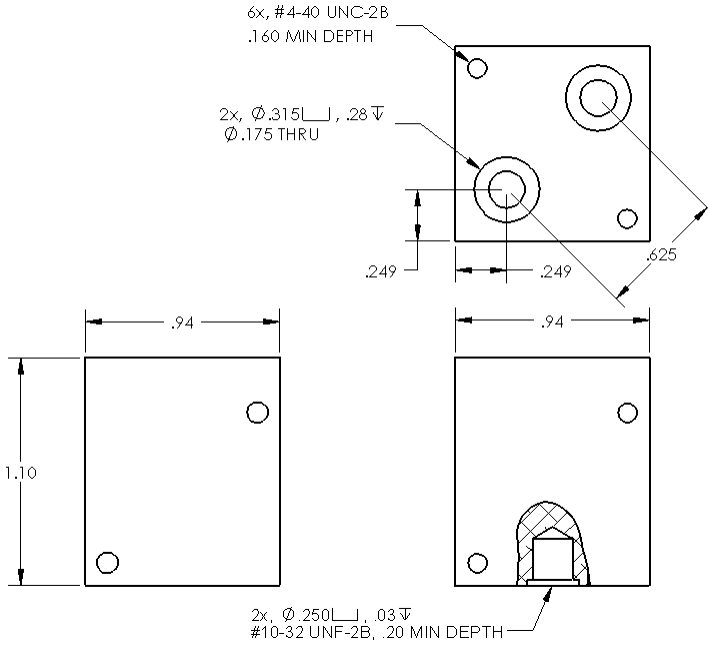


Triaxial Mounting Blocks

Model: AC-D02652

Used with Accelerometers: 4000A, 4001A, 4002, 4807A

Material: Aluminum, Anodized



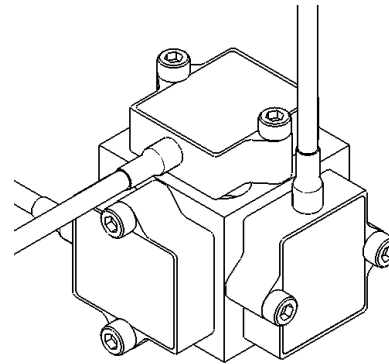
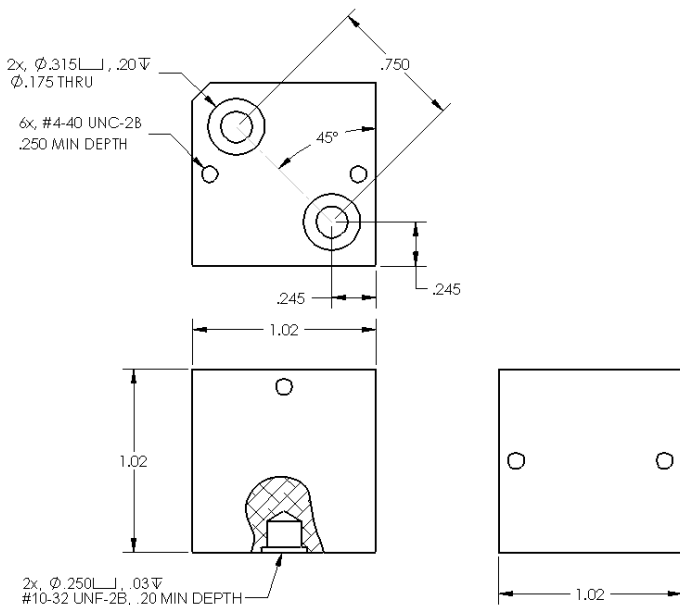
Mounting screws supplied with the triaxial block.

- M4x0.7, 25mm length (2pcs)
- #8-36, 1.0inch length (2pcs)

Model: AC-D02669

Used with Accelerometers: 201, 4600, 4602, 4604, 4605, 4610, 4810A

Material: Aluminum, Anodized



Mounting screws supplied with the triaxial block.

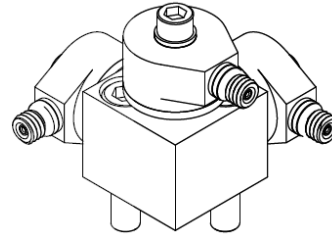
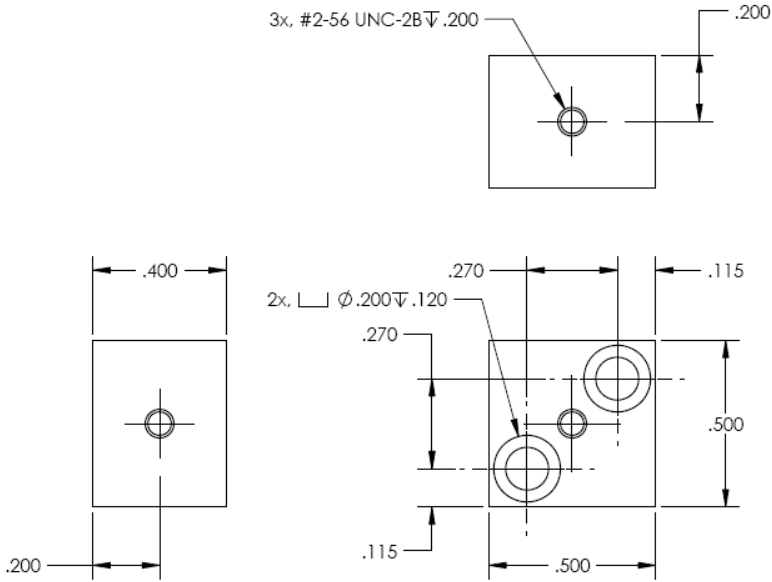
- M4x0.7, 25mm length (2pcs)
- #8-36, 1.0inch length (2pcs)

Triaxial Mounting Blocks

Model: AC-A04018

Used with Accelerometers: 7101A, 7501A

Material: Aluminum, Anodized



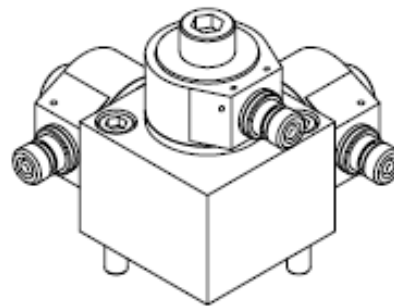
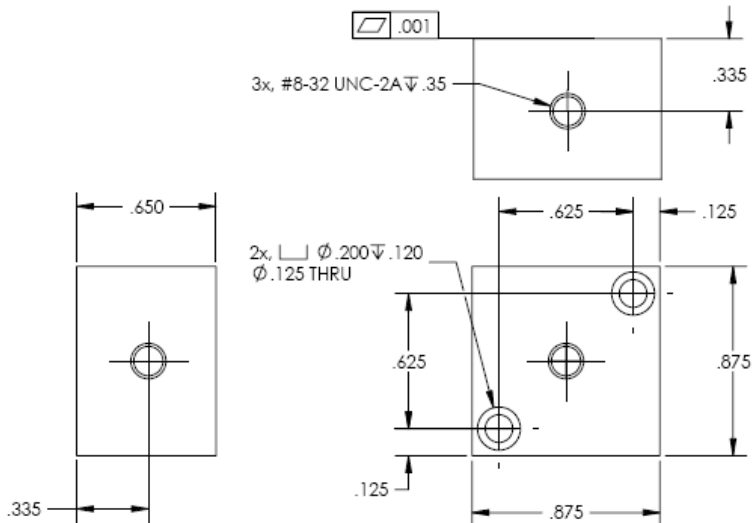
Mounting screws supplied with the triaxial block.

- M3x0.5, 14mm length (2pcs)
- #4-40, 1/2 inch length (2pcs)

Model: AC-A03389

Used with Accelerometers: 7100A, 7500A

Material: Aluminum, Anodized



Mounting screws supplied with the triaxial block.

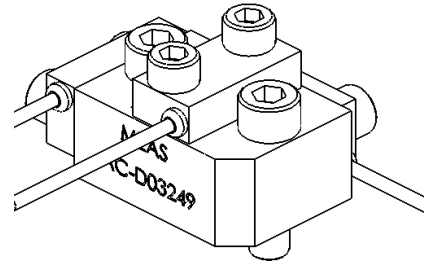
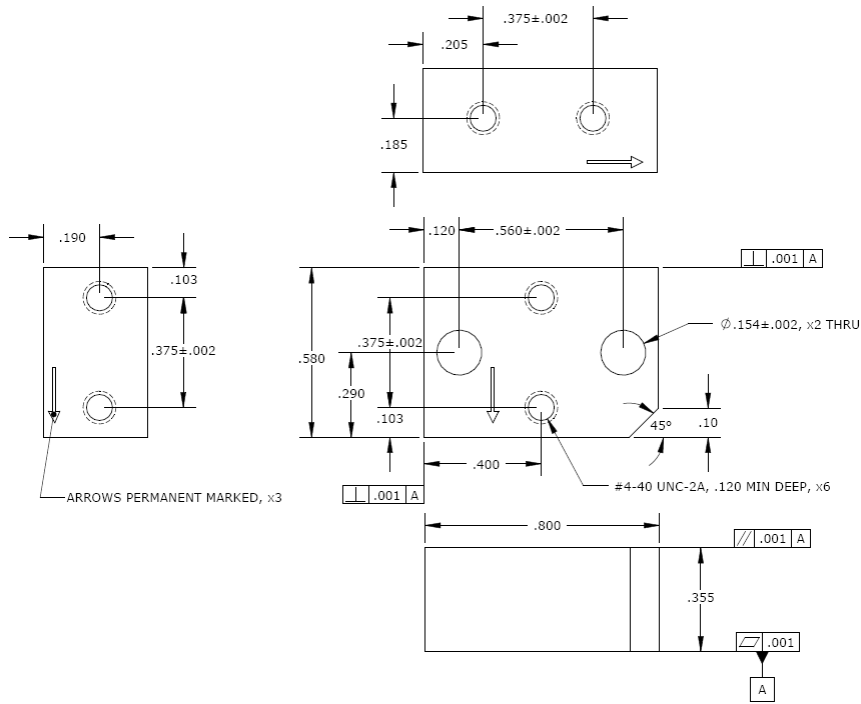
- M3x0.5, 20mm length (2pcs)
- #4-40, 3/4 inch length (2pcs)

Triaxial Mounting Blocks

Model: AC-D03249

Used with Accelerometers: 3700, 3701

Material: Titanium

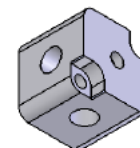
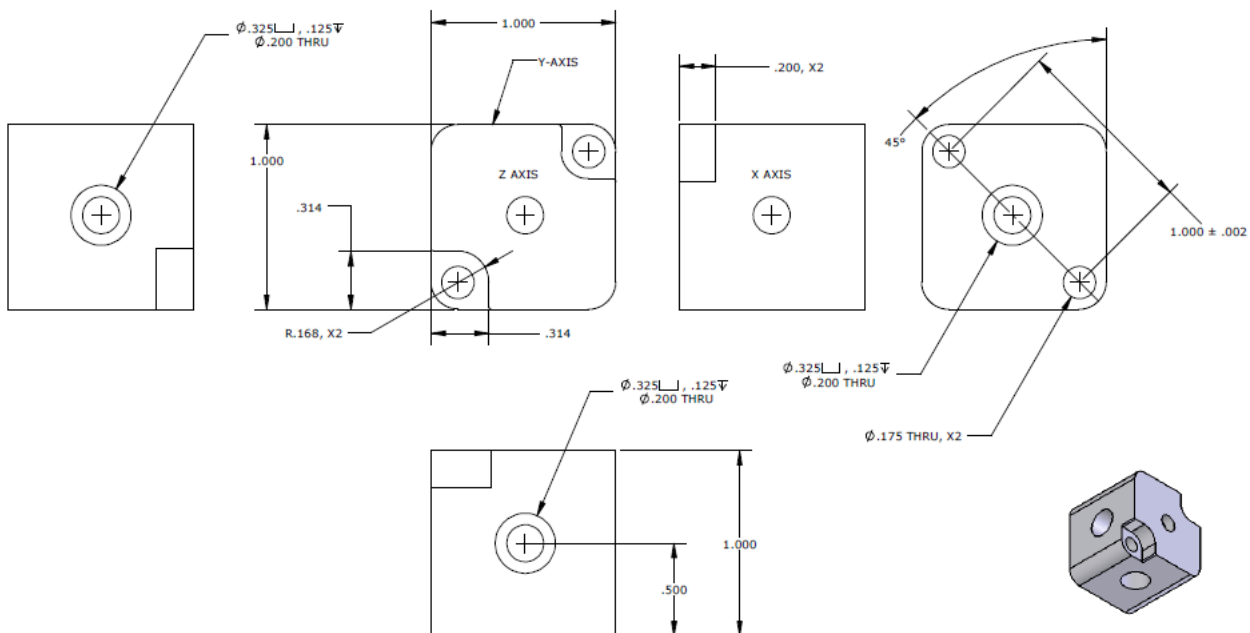


Mounting screws supplied with the triaxial block.
 - #6-32, 1/2 inch length (2pcs)

Model: AC-D04716

Used with Accelerometers: 3801A, 4801A, 7114A, 7514A

Material: Aluminum, Anodized



Triaxial Mounting Blocks

Model: MTG-A1 & MTG-A1M

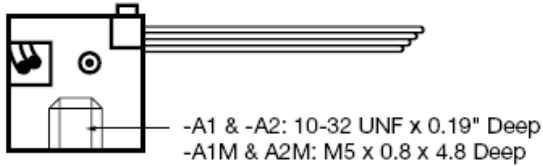
Used with Accelerometers: EGA, EGAX, EGAXT-500 to -2500

Material: Stainless Steel



MTG-A1 & -A1M: 12.7 (.50") x 12.7 (.50") x 12.7 (.50")
MTG-A2 & -A2M: 13.6 (.535") x 13.6 (.535") x 13.6 (.535")

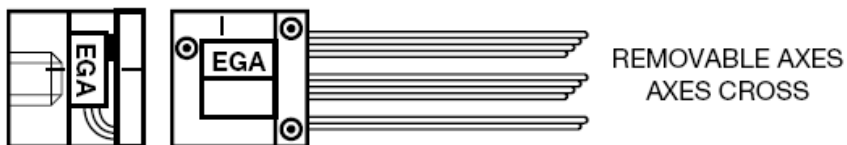
Shown here with
3 EGA
Accelerometers
mounted



Model: MTG-A2 & MTG-A2M

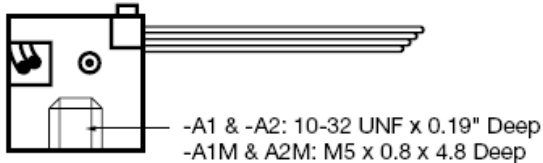
Used with Accelerometers: EGA, EGAX, EGAXT-5 to -250

Material: Stainless Steel



MTG-A1 & -A1M: 12.7 (.50") x 12.7 (.50") x 12.7 (.50")
MTG-A2 & -A2M: 13.6 (.535") x 13.6 (.535") x 13.6 (.535")

Shown here with
3 EGA
Accelerometers
mounted

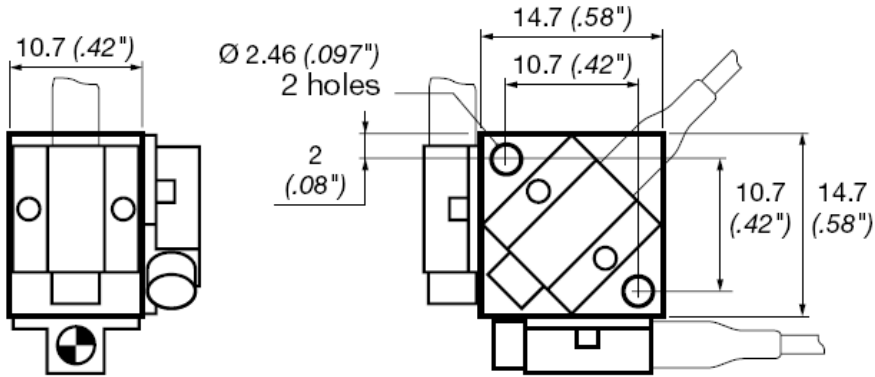


Triaxial Mounting Blocks

Model: MTG-E2

Used with Accelerometers: 40A, 64, 64C, 64D

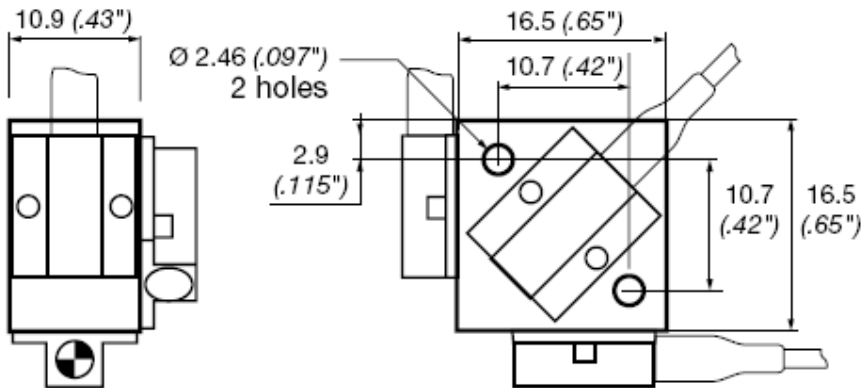
Material: Aluminum, Anodized



Model: MTG-E4

Used with Accelerometers: 40B, 64B

Material: Aluminum, Anodized

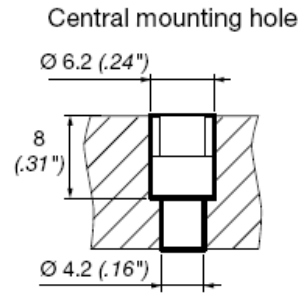
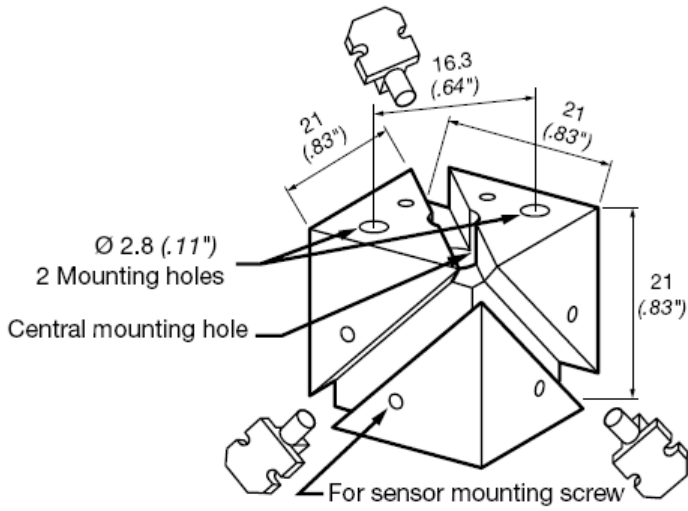


Triaxial Mounting Blocks

Model: MTG-F2

Used with Accelerometers: EGAS-FS & EGAS-FT

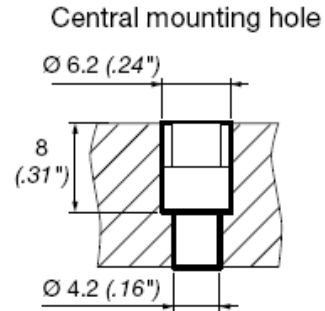
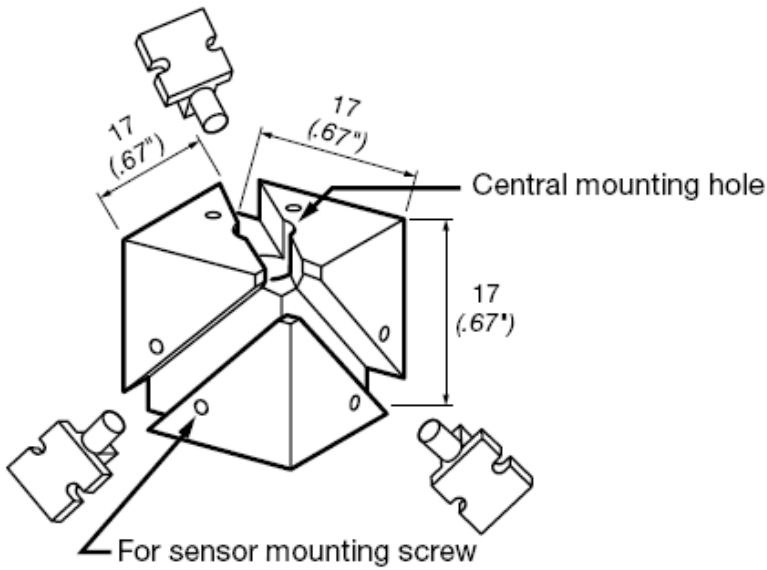
Material: Aluminum, Anodized



Model: MTG-F3

Used with Accelerometers: EGAS-F

Material: Aluminum, Anodized

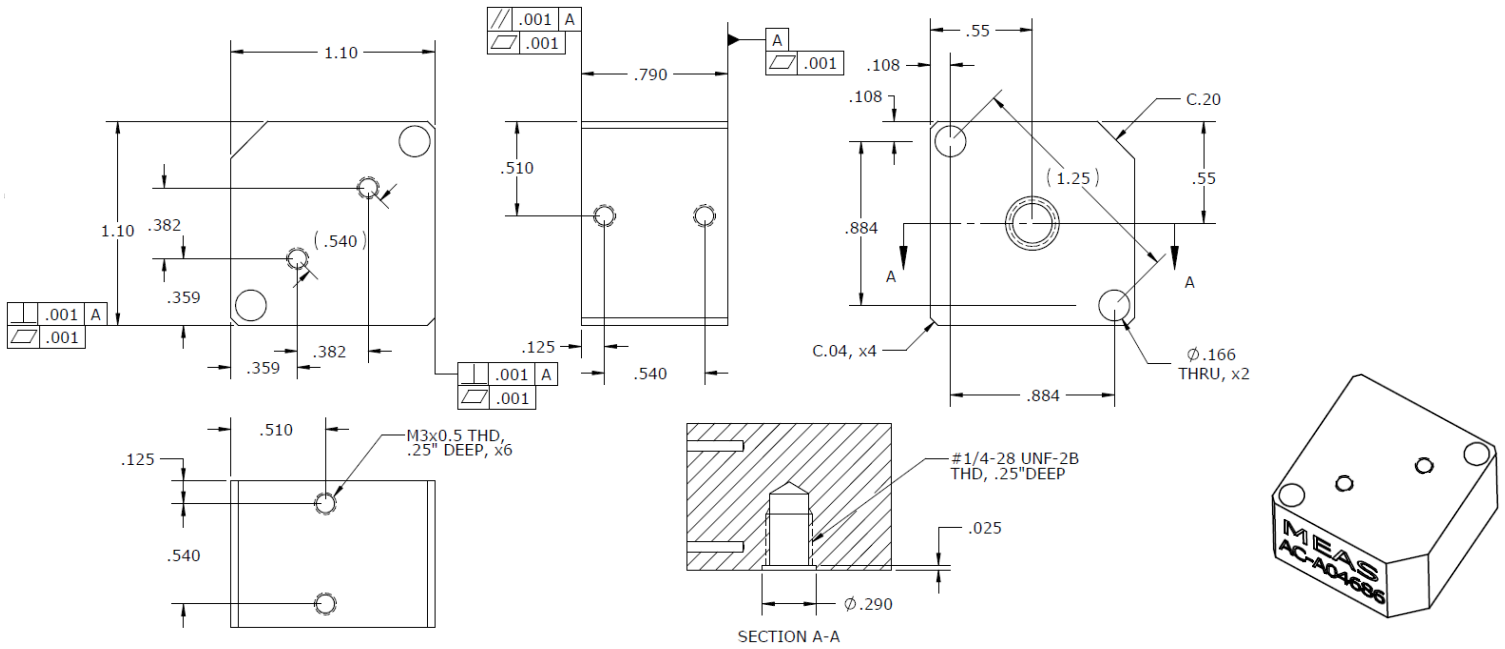


Triaxial Mounting Blocks

Model: AC-A04686

Used with Accelerometers: 1207F, 1210F, EGCS-D0

Material: Aluminum, Anodized



联系方式



深圳市亿为测控电子有限公司
Shenzhen Bill-Well Measurement & Control Electronics Co., Ltd.

广东省深圳市南山区创业路怡海广场东座2407 邮编：518000

电话：+86 755 2641 9890 传真：+86 755 2641 9680

电子邮箱：sales@bill-well.com