

XFL225D Miniature Load Cell



- 0-10 N to 0-5 kN [0-2 lbf to 0-1 klbf]
- Compression
- Very Flat
- Diameter 25mm [0.98"]
- Load Washer Model
- For Static and Dynamic Applications
- Strain Relief Spring



DESCRIPTION

The **XFL225D** series is a very flat miniature load cell with a temperature compensation module integrated into the output cable. This design allows Measurement Specialties, Inc. to manufacture extremely small sensors without sacrificing thermal zero and sensitivity performance.

The sensing element is fitted with a fully temperature compensated Wheatstone bridge equipped with high stability micro-machined silicon strain gages. The **XFL225D** is developed for measuring large full scale ranges up to 5000N; 1000 lbf and can withstand considerable overloads. It can measure strain during compression in static and dynamic applications. A strain relief spring strengthens the cable output. This sensor is available in a load washer model (the diameter of the hole is 8.2 mm) to measure bolt tightening forces.

With many years of experience as a designer and manufacturer of sensors, Measurement Specialties, Inc. often works with customers to design or customize sensors for specific uses and testing environments. To meet your needs we also offer complete turnkey systems. The matched components (sensor, power, amplifier and digital display) are formatted, calibrated and ready for immediate use.

FEATURES

- Small size
- Flat sensor
- Inside hole Φ 8mm or flat surface
- Other designs as special on request
- Temperature compensated

APPLICATIONS

- Strain table measurement
- Micro component assembly tools
- Screw and insert test benches
- Press fit monitoring
- Laboratory

STANDARD RANGES

F.S. Ranges in N	10 – 20 – 50 - 100	200 – 500 – 1k	2k – 5k
F.S. Ranges in lbf	2 – 4 – 10 - 20	40 – 100 - 200	400 – 1k
Stiffness in N/m	1.1×10^5 to 5.8×10^6	2.0×10^7 to 7.3×10^8	2.0×10^7 to 7.3×10^8
Stiffness in lbf/ft	6.9×10^3 to 4.0×10^5	1.4×10^5 to 5.0×10^7	1.4×10^5 to 5.0×10^7
Material	Aluminum	Stainless Steel	

XFL225D Miniature Load Cell

PERFORMANCE SPECIFICATIONS

All values are typical at temperature $20\pm 1^{\circ}\text{C}$

PARAMETERS	
Operating Temperature Range (OTR)	-40 to 120° C [-40 to 248° F]
Compensated Temperature Range (CTR)	0 to 60° C (32 to 140° F)
Zero Shift in CTR	<2% F.S. / 50° C [/100° F]
Sensitivity Shift in CTR	<2% of reading / 50° C [/100° F]
Range (F.S.)	0-10 N to 0-5 kN [0-2 lbf to 0-1000 lbf]
Over-Range	
Without Damage	2 x F.S.
Without Destruction	3 x F.S.
Accuracy	
Linearity	$\leq \pm 1\%$ F.S.
Hysteresis	$\leq \pm 1\%$ F.S.

Electrical Characteristics

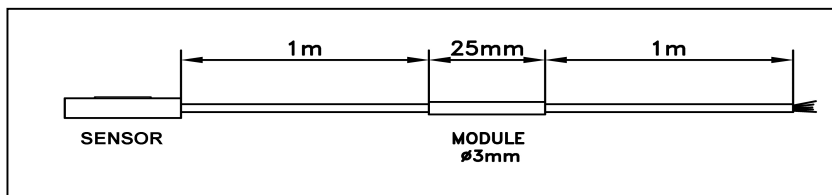
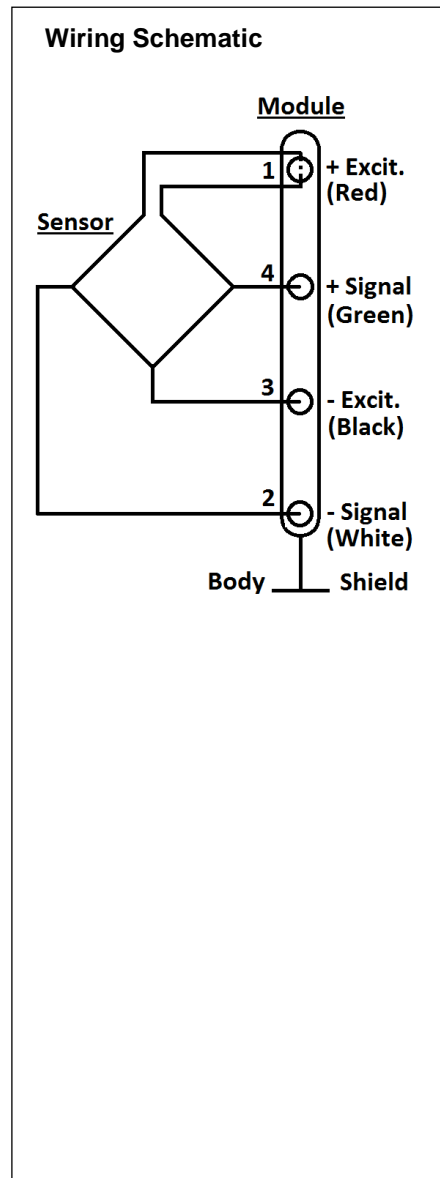
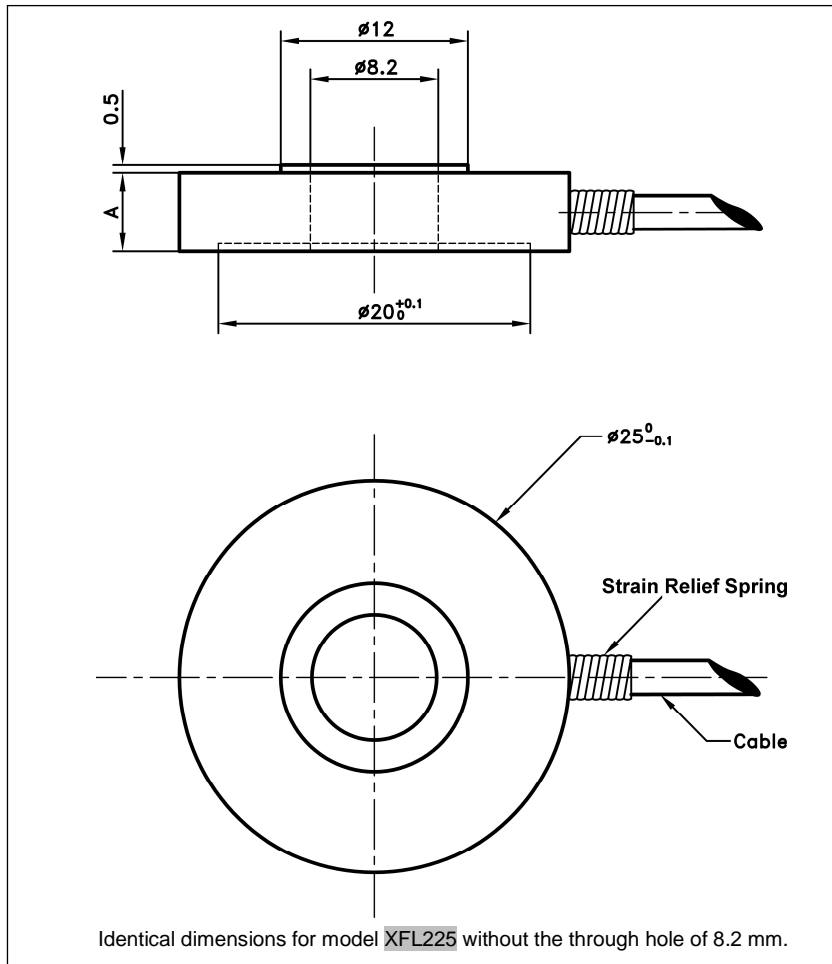
Model	XFL225D
Supply Voltage	10Vdc
F.S. Output	100 mV
Zero Offset	$< \pm 10$ mV
Input Impedance/Consumption	1000 to 3000 Ω
Output Impedance	500 to 1000 Ω
Insulation under 50Vdc	$\geq 100\text{M}\Omega$

Notes

1. Electrical Termination: Cable: Shielded cable with 4 wires (AWG36), standard length 2 m [6.5 ft] with strain relief spring ; Compensation module at 1m [3.25 ft] from transducer
2. Material: Body in stainless steel or aluminum alloy depending on F.S.
3. Protection Index: IP50
4. CE conformance according to EN 61010-1, EN 50081-1, EN 50082-1

XFL225D Miniature Load Cell

DIMENSIONS & WIRING SCHEMATIC (IN METRIC AND IMPERIAL)



Dimensions in mm [inch]

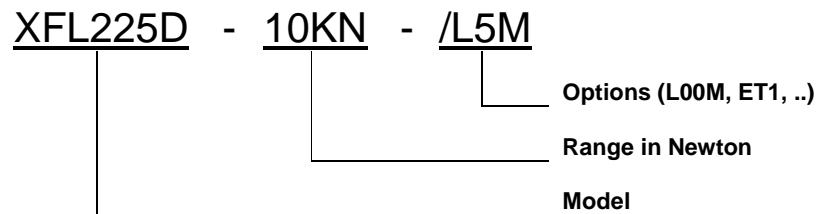
F.S. Ranges in N [in lbf]	10 - 20 - 50 - 100 [2 - 4 - 10 - 20]	200 - 500 - 1000 [40 - 100 - 200]	2000 - 5000 [400 - 1000]
A	3 [0.12]		5 [0.2]
Material	Aluminum Alloy	Stainless Steel	Stainless Steel
Stiffness in N/m	1.1×10^5 to 5.8×10^6	2.0×10^7 to 7.3×10^8	2.0×10^7 to 7.3×10^8
Stiffness in lbf/ft	6.9×10^3 to 4×10^5	1.4×10^6 to 5×10^7	1.4×10^6 to 5×10^7

XFL225D Miniature Load Cell

OPTIONS

ET1	: CTR -20 to 100° C [-4 to 212° F]
ET2	: CTR -40 to 120° C [-40 to 248° F]
ET3	: CTR -40 to 150° C [-40 to 302° F] OTR=CTR
M00M	: special distance between sensor and module, replace "00" with total length in meters
L00M	: special cable length, replace "00" with total length in meters
* Order Flat Force application surface without through hole with reference XFL225 .	

ORDERING INFO



联系方式



深圳市亿为测控电子有限公司
Shenzhen Bill-Well Measurement & Control Electronics Co., Ltd.

广东省深圳市南山区创业路怡海广场东座2407 邮编：518000

电话：+86 755 2641 9890 传真：+86 755 2641 9680

电子邮箱：sales@bill-well.com