

Flange Mounted Stainless Steel Probe



- NTC Temperature Sensor
- Fixed depth immersion probe
- Various lead lengths available
- Various SS tube lengths available
- Various Flange mount sizes available
- RoHS Compliant

DESCRIPTION

NTC Thermistor bead is soldered to extension wires. Unit is potted in a Mylar tube. The device is potted in a Stainless steel housing using Black Stycast epoxy.

FEATURES

- Fixed depth immersion probe.
- Custom temperature tolerances available.
- Available in a range of R/T curves.
- Various lead length/lead type available.
- Flexible design dimensions to accommodate customer requirements.
- Temperature range -40 °C to +105°C

APPLICATIONS

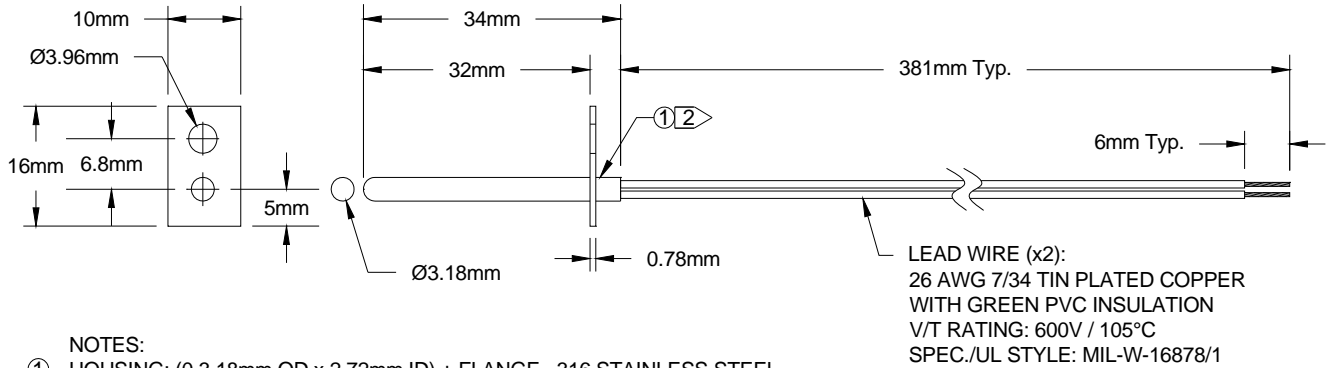
- Air duct sensor
- Ambient temp sensor

PERFORMANCE SPECS

Parameters	Units	Value
Resistance @ +25°C	Ohms	10,000
Resistance tolerance from 0°C to +70°C	°C	± 1.0
Beta Value 25/85	K	3976
Tolerance on Beta Value 25/85	%	± 0.5
Time response in Liquids	Seconds	<5

Flange Mounted Stainless Steel Probe

MECHANICAL DETAILS



- NOTES:
 ① HOUSING: (0.3.18mm OD x 2.72mm ID) + FLANGE, 316 STAINLESS STEEL
 ② ENCAPSULATION: THERMALLY CONDUCTIVE BLACK EPOXY

Figure 1: Flange Mounted Stainless Steel Probe

RESISTANCE V TEMPERATURE TABLE

Temp. °C	Ohms	Temp. °C	Ohms	Temp. °C	Ohms	Temp. °C	Ohms
-40	336103.2	-15	72911.1	10	19903.2	35	6530.3
-39	314558.0	-14	68940.4	11	18973.3	36	6266.2
-38	294529.1	-13	65209.7	12	18092.2	37	6014.3
-37	275900.8	-12	61702.9	13	17256.9	38	5773.8
-36	258567.0	-11	58405.5	14	16464.9	39	5544.2
-35	242430.2	-10	55303.9	15	15713.7	40	5325.0
-34	227400.9	-9	52385.2	16	15000.9	41	5115.6
-33	213396.6	-8	49637.8	17	14324.5	42	4915.6
-32	200341.4	-7	47050.6	18	13682.3	43	4724.4
-31	188165.5	-6	44613.4	19	13072.6	44	4541.7
-30	176804.8	-5	42316.7	20	12493.3	45	4367.0
-29	166199.8	-4	40151.6	21	11943.0	46	4200.0
-28	156296.1	-3	38110.0	22	11419.9	47	4040.2
-27	147043.2	-2	36184.0	23	10922.7	48	3887.4
-26	138394.7	-1	34366.6	24	10449.8	49	3741.1
-25	130307.6	0	32650.9	25	10000.0	50	3601.1
-24	122742.3	1	31030.8	26	9572.0	51	3467.0
-23	115662.2	2	29500.5	27	9164.7	52	3338.7
-22	109033.4	3	28054.4	28	8777.0	53	3215.8
-21	102824.6	4	26687.5	29	8407.7	54	3098.0
-20	97006.9	5	25395.0	30	8056.1	55	2985.2
-19	91553.3	6	24172.5	31	7721.0	56	2877.0
-18	86439.2	7	23015.9	32	7401.7	57	2773.3
-17	81641.4	8	21921.2	33	7097.3	58	2673.9
-16	77138.6	9	20884.7	34	6807.1	59	2578.6

Flange Mounted Stainless Steel Probe

60	2487.1	72	1636.6	84	1104.9	96	763.6
61	2399.4	73	1582.4	85	1070.5	97	741.2
62	2315.2	74	1530.2	86	1037.3	98	719.6
63	2234.4	75	1480.1	87	1005.3	99	698.6
64	2156.8	76	1431.8	88	974.4	100	678.4
65	2082.3	77	1385.3	89	944.7	101	658.9
66	2010.8	78	1340.6	90	916.0	102	640.0
67	1942.1	79	1297.5	91	888.3	103	621.8
68	1876.0	80	1256.1	92	861.5	104	604.2
69	1812.6	81	1216.1	93	835.8	105	587.1
70	1751.6	82	1177.7	94	810.9		
71	1693.0	83	1140.6	95	786.8		

ORDERING INFORMATION

Part Number	Description	Ω @25°C	MOQ
10K3D536	Flange Mounted Stainless Steel Probe	10,000	1000 *

* For quantities less than Minimum Order Quantity – contact distribution

联系方式



深圳市亿为测控电子有限公司
Shenzhen Bill-Well Measurement & Control Electronics Co., Ltd.

广东省深圳市南山区创业路怡海广场东座2407 邮编：518000

电话：+86 755 2641 9890 传真：+86 755 2641 9680

电子邮箱：sales@bill-well.com