

SMD4 (0402) NTC Thermistors



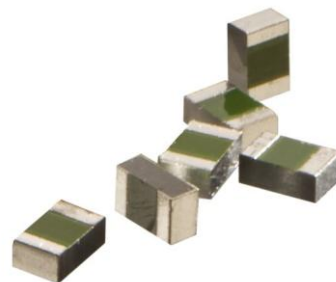
✓RoHS

0.04K to 200K Ohms Resistance @ +25°C

Tape and Reel packaging for automatic placement

Available in $\pm 1\%$, $\pm 3\%$, $\pm 5\%$ or $\pm 10\%$ tolerance @ +25°C

Cost effective



SMD4 SERIES THERMISTORS

Standard Surface Mount NTC Thermistor available in the **0402** package.

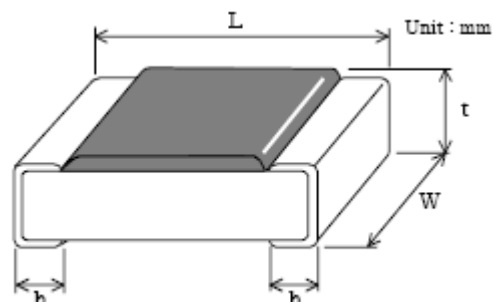
FEATURES

- 0.04 to 200K Ohms Resistance @ +25°C
- Tape & Reel packaging for automatic placement
- Low cost
- Temperature range -40°C to +125°C
- RoHS Compliant

APPLICATIONS

- Temperature sensing, control and detection
- Temperature compensation of transistors, IC's and crystal oscillators in mobile
- Consumer electronics
- Automotive electronics
- LCD controls

Dimensions



	L	W	t	b
SMD4	1.00±0.2	0.5±0.2	0.7 mm Max.	0.2 ±0.1

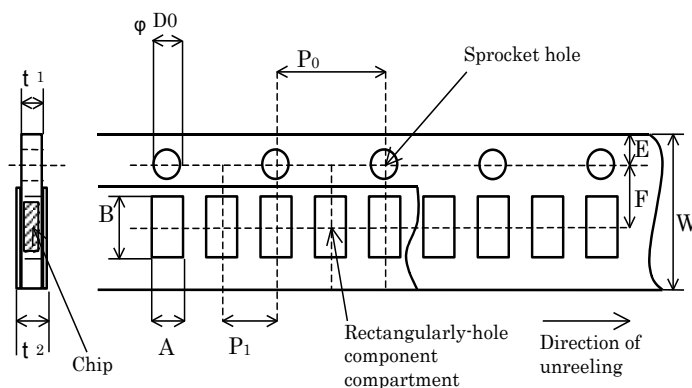
SMD4 (0402) NTC Thermistors

Product Definition

Part Number	Resistance [Ω] @ +25°C	Tolerance @ +25°C	Beta Value 25/85	Tolerance on Beta Value	Dissipation Constant in still air @ +25°C	Maximum Rated Wattage @ +25°C
SMD4.04KJ280JT	40	± 5%	2800	± 5%	1.5 mW/°C	40 mW
SMD4.1KJ280JT	100	± 5%	2800	± 5%	1.5 mW/°C	40 mW
SMD41KJ325JT	1,000	± 5%	3250	± 5%	1.5 mW/°C	40 mW
SMD42KJ410JT	2,000	± 5%	4100	± 5%	1.5 mW/°C	40 mW
SMD43KJ410JT	3,000	± 5%	4100	± 5%	1.5 mW/°C	40 mW
SMD410KJ344JT	10,000	± 5%	3435	± 5%	1.5 mW/°C	40 mW
SMD410KJ375JT	10,000	± 5%	3750	± 5%	1.5 mW/°C	40 mW
SMD415KJ380JT	15,000	± 5%	3800	± 5%	1.5 mW/°C	40 mW
SMD420KJ380JT	20,000	± 5%	3800	± 5%	1.5 mW/°C	40 mW
SMD430KJ400JT	30,000	± 5%	4000	± 5%	1.5 mW/°C	40 mW
SMD447KJ400JT	47,000	± 5%	4000	± 5%	1.5 mW/°C	40 mW
SMD4100KJ415JT	100,000	± 5%	4150	± 5%	1.5 mW/°C	40 mW
SMD4150KJ425JT	150,000	± 5%	4250	± 5%	1.5 mW/°C	40 mW
SMD4200KJ425JT	200,000	± 5%	4250	± 5%	1.5 mW/°C	40 mW

Tape Dimensions

Type of taping	Carrier tape	Top cover tape	Bottom cover tape
Taping of rectangular punched carrier system	Paper	Thermal adhesion plastics	Thermal adhesion paper

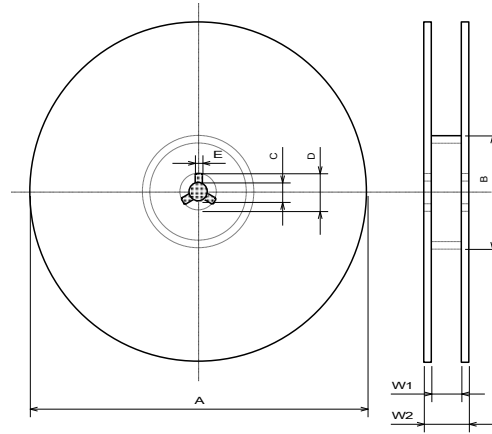


	A	B	W	F	E	Unit mm
SMD4	0.7±0.10	1.20±0.10	8.00±0.20	3.50±0.05	1.75±0.10	
	P1	P2	P0	D0	t1	t2
SMD4	2.00±0.1	2.00±0.05	4.00±0.10	1.55±0.05	-	1.0max.

Remark: Pitch tolerance over any 10 pitches of P0 is ±0.2mm.

Reel Dimension

SMD4 (0402) NTC Thermistors



	<i>A</i>	<i>B</i>	<i>C</i>	<i>D</i>	<i>E</i>	Unit mm
SMD4	180 ± 20	> 50	13 ± 0.50	21 ± 0.8	2 ± 0.5	
	<i>W1</i>	<i>W2</i>				
SMD4	10.00 ± 1.50	6.00 ± 0.5				

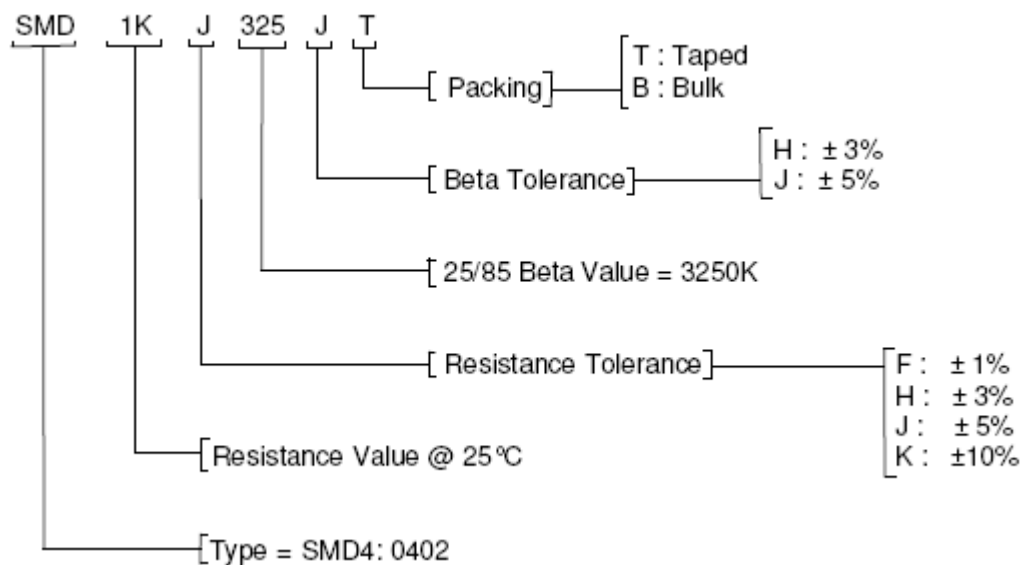
SMD4 (0402) NTC Thermistors

Ordering Information

Example:

Part Number	Description	Ω @ +25°C	MOQ
SMD41KJ325JT	0402 SMD Series 4 Thermistor – Taped & Reeled	1,000	10000

* For quantities less than Minimum Order Quantity – Contact Distribution



联系方式



深圳市亿为测控电子有限公司
Shenzhen Bill-Well Measurement & Control Electronics Co., Ltd.

广东省深圳市南山区创业路怡海广场东座2407 邮编：518000
电话：+86 755 2641 9890 传真：+86 755 2641 9680
电子邮箱：sales@bill-well.com