

SMD2 (0805) NTC Thermistors

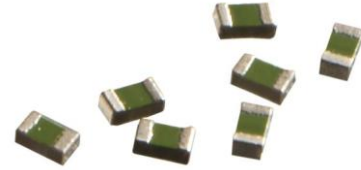


0.04K Ohms to 500K Ohms
Resistance @ +25°C

Tape and Reel packaging for
automatic placement

Available in $\pm 1\%$, $\pm 3\%$, $\pm 5\%$ or $\pm 10\%$
tolerance @ +25°C

Cost effective



SMD2 SERIES THERMISTORS

Standard Surface Mount NTC
Thermistor available in the **0805**
package.

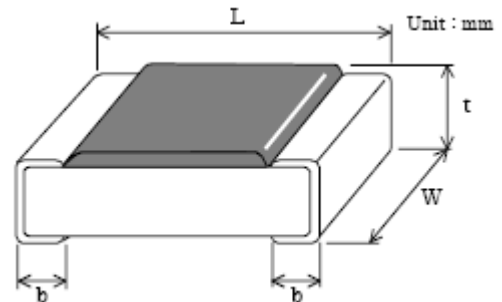
FEATURES

- 0.04 to 500K Ohms Resistance @ +25°C
- Tape and reel packaging for automatic placement
- Low cost
- Temperature range -40°C to +125°C
- RoHS Compliant

APPLICATIONS

- Temperature sensing, control and detection
- Temperature compensation of transistors, IC's and crystal oscillators in mobile
- Consumer electronics
- Automotive electronics
- LCD controls

Dimensions



| | L | W | t | b |
|------|----------|----------|-------------|----------|
| SMD2 | 2.00±0.2 | 1.25±0.2 | 1.2 mm Max. | 0.4 ±0.2 |

联系方式



深圳市亿为测控电子有限公司
Shenzhen Bill-Well Measurement & Control Electronics Co., Ltd.

广东省深圳市南山区创业路怡海广场东座2407 邮编：518000
电话：+86 755 2641 9890 传真：+86 755 2641 9680
电子邮箱：sales@bill-well.com

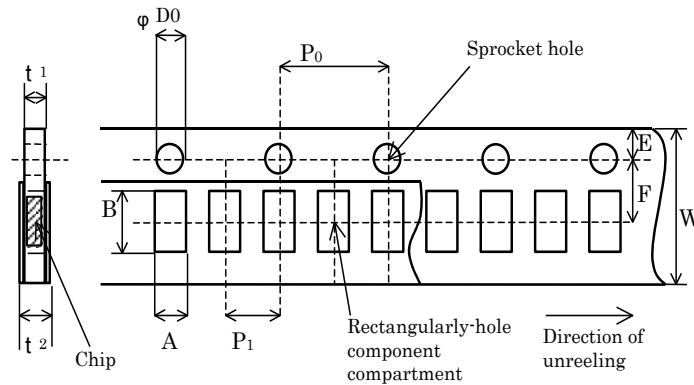
SMD2 (0805) NTC Thermistors

Product Definition

| Part Number | Resistance [Ω] @ +25°C | Tolerance @ +25°C | Beta Value 25/85 | Tolerance on Beta Value | Dissipation Constant in still air @ +25°C | Maximum Rated Wattage @ +25°C |
|----------------|------------------------|-------------------|------------------|-------------------------|-------------------------------------------|-------------------------------|
| SMD2.04KJ280JT | 40 | ± 5% | 2800 | ± 5% | 2 mW/°C | 300 mW |
| SMD2.5KJ320JT | 500 | ± 5% | 3200 | ± 5% | 2 mW/°C | 300 mW |
| SMD22KJ410JT | 2000 | ± 5% | 4100 | ± 5% | 2 mW/°C | 300 mW |
| SMD23KJ410JT | 3000 | ± 5% | 4100 | ± 5% | 2 mW/°C | 300 mW |
| SMD25KJ355JT | 5000 | ± 5% | 3550 | ± 5% | 2 mW/°C | 300 mW |
| SMD210KJ344JT | 10000 | ± 5% | 3435 | ± 5% | 2 mW/°C | 300 mW |
| SMD210KJ375JT | 10000 | ± 5% | 3750 | ± 5% | 2 mW/°C | 300 mW |
| SMD215KJ380JT | 15000 | ± 5% | 3800 | ± 5% | 2 mW/°C | 300 mW |
| SMD220KJ380JT | 20000 | ± 5% | 3800 | ± 5% | 2 mW/°C | 300 mW |
| SMD230KJ400JT | 30000 | ± 5% | 4000 | ± 5% | 2 mW/°C | 300 mW |
| SMD247KJ400JT | 47000 | ± 5% | 4000 | ± 5% | 2 mW/°C | 300 mW |
| SMD2100KJ415JT | 100000 | ± 5% | 4150 | ± 5% | 2 mW/°C | 300 mW |
| SMD2150KJ425JT | 150000 | ± 5% | 4250 | ± 5% | 2 mW/°C | 300 mW |
| SMD2200KJ425JT | 200000 | ± 5% | 4250 | ± 5% | 2 mW/°C | 300 mW |

Tape Dimensions

| Type of taping | Carrier tape | Top cover tape | Bottom cover tape |
|----------------------------------------------|--------------|---------------------------|------------------------|
| Taping of rectangular punched carrier system | Paper | Thermal adhesion plastics | Thermal adhesion paper |

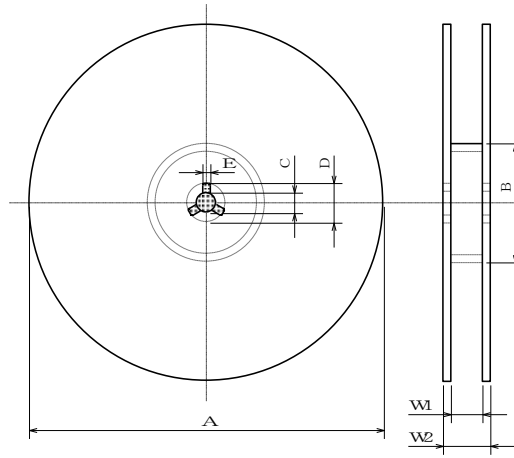


| | | | | | | |
|------|-----------|-----------|-----------|-----------|-----------|---------|
| | A | B | W | F | E | Unit mm |
| SMD2 | 1.45±0.10 | 2.25±0.20 | 8.00±0.30 | 3.50±0.05 | 1.75±0.10 | |
| | P1 | P2 | P0 | D0 | t1 | t2 |
| SMD2 | 4.00±0.1 | 2.00±0.05 | 4.00±0.10 | 1.55±0.05 | 0.30max. | 1.4max. |

Remark: Pitch tolerance over any 10 pitches of P0 is ±0.2mm.

SMD2 (0805) NTC Thermistors

Reel Dimension

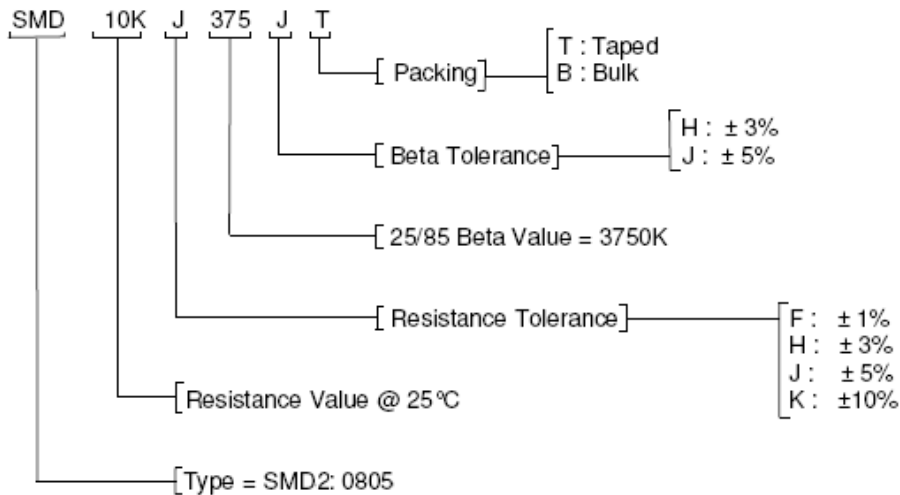


| | A | B | C | D | E | Unit mm |
|------|------------|----------|---------|--------|-------|---------|
| SMD2 | 180±20 | >50 | 13±0.50 | 21±0.8 | 2±0.5 | |
| | W1 | W2 | | | | |
| SMD2 | 10.00±1.50 | 6.00±0.5 | | | | |

Ordering Information

Example:

| Part Number | Description | Ω @ +25°C | MOQ |
|---------------|-----------------------------------------------|------------------|------|
| SMD210KJ375JT | 0805 SMD Series 2 Thermistor – Taped & Reeled | 10,000 | 3000 |



Note:

For Resistance Tolerance ±1% @ +25°C the Beta Tolerance = H (±3%)

For Resistance Tolerance ±3, 5 & 10% @ +25°C the Beta Tolerance = J (±5%)