

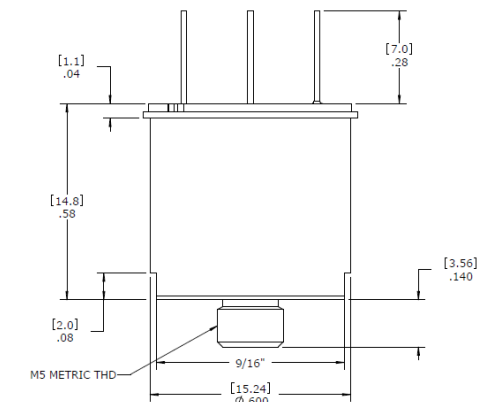
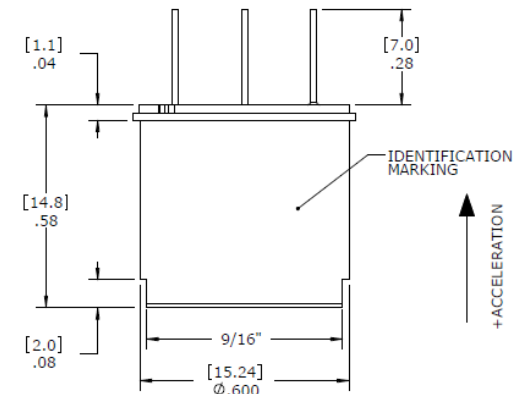
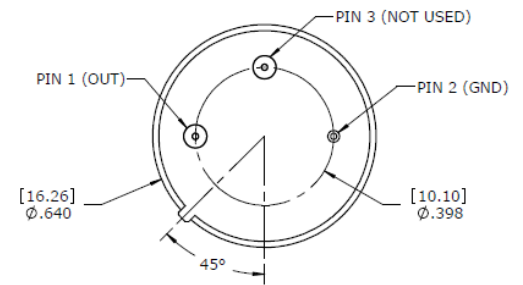
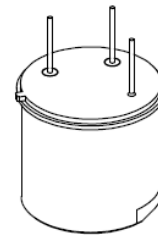


TO-8 Series Accelerometer 2-Wire IEPE Interface Low-Cost, Embedded Applications Wide Bandwidth to 6kHz

The Model 808 is a miniature adhesive mount IEPE accelerometer built on a 3-pin TO-8 header. It is available in $\pm 10g$ and $\pm 50g$ dynamic ranges and offers a flat frequency response to 6kHz. The accelerometer features a hermetic construction in a TO-8 header configuration. The model 808 incorporates a stable piezo-ceramic crystal and an integrated charge converter amplifier in a 100% shielded housing suitable for many embedded OEM applications. The accelerometer is offered in two configurations; one for adhesive mounting and one for stud mounting.



dimensions



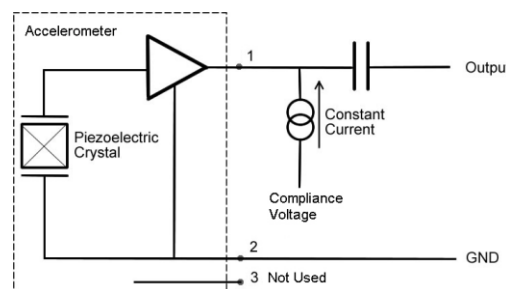
M5 Stud Mounting for -01

FEATURES

- $\pm 10g$ and $\pm 50g$ Range
- Wide bandwidth up to 6kHz
- TO-8 Configuration
- Hermetically Sealed
- $-40^{\circ}C$ to $+100^{\circ}C$ Operating Range
- Case Grounded Design

APPLICATIONS

- Machine Monitoring
- Low-Cost OEM Installation
- Permanent Structural Study
- Embedded Sensing Solution



Model 808 Accelerometer

performance specifications

All values are typical at +24°C, 80Hz and 4mA excitation unless otherwise stated. Measurement Specialties reserves the right to update and change these specifications without notice. Standard product parameters are described in PSC-1001 for Embedded AC Accelerometers.

Parameters

DYNAMIC

| | | | Notes |
|----------------------------|----------|----------|----------------------------------|
| Range (g) | ±10 | ±50 | |
| Sensitivity (mV/g) | 500 | 100 | ±10% (see Note 1 for ±5% option) |
| Frequency Response (Hz) | 1-3000 | 2-4000 | ±1dB |
| Frequency Response (Hz) | 0.3-5000 | 0.3-6000 | ±3dB |
| Natural Frequency (Hz) | 18000 | 24000 | |
| Non-Linearity (%FSO) | ±1 | ±1 | |
| Transverse Sensitivity (%) | 5 | 5 | |
| Shock Limit (g) | 5000 | 5000 | |
| Residual Noise (g RMS) | 0.0008 | 0.001 | Broadband 1Hz to 10kHz |

ELECTRICAL

| | | | |
|-------------------------------|-----------------------------------|--|------------------|
| Compliance Voltage (Vdc) | 18 to 30 | | |
| Excitation Current (mA) | 2 to 10 | | |
| Bias Voltage (Vdc) | 8 to 12 | | Room Temperature |
| Bias Voltage (Vdc) | 6 to 13 | | -40 to +100°C |
| Output Impedance (Ω) | <100 | | |
| Full Scale Output Voltage (V) | ±5 | | |
| Grounding | Case grounded to mounting surface | | |

ENVIRONMENTAL

| | | | |
|----------------------------|-------------|--|---------------------------|
| Temperature Response (%) | ±10 | | |
| Operating Temperature (°C) | -40 to +100 | | +125°C option, see Note 2 |
| Storage Temperature (°C) | -54 to +125 | | |

PHYSICAL

| | |
|-----------------|---|
| Sensing Element | Piezo-Ceramic, Shear Mode |
| Case Material | Stainless Steel |
| Weight (grams) | 20 (for 10g range), 16 (for 50g range) |
| Mounting | Adhesive or Circuit Board (M5 Stud Mounting for -01 Option) |

¹ Contact factory for model number to order with ±5% sensitivity tolerance

² Contact factory for model number to order with +125°C operating temperature

Calibration supplied: CS-SENS-0100 NIST Traceable Amplitude Calibration at 80Hz

Wiring color code: See schematic

ordering info

PART NUMBERING Model Number+Range

808-GGGG-XX

| | | | | Optional Stud Dash Number
| | | | | Range (0010 is 10g)

Dash Number Stud Options
-01 M5 x 0.8

Example: 808-0010
Model 808, 10g

联系方式



深圳市亿为测控电子有限公司
Shenzhen Bill-Well Measurement & Control Electronics Co., Ltd.

广东省深圳市南山区创业路怡海广场东座2407 邮编：518000

电话：+86 755 2641 9890 传真：+86 755 2641 9680

电子邮箱：sales@bill-well.com