



MS5536-60C

SMD Gage Pressure Module

SPECIFICATIONS

- **Pressure range 0 to 60 mbar**
- **0.05 mbar Resolution**
- **Factory Calibrated (coefficients for software compensation store on-chip)**
- **16 Bit ADC**
- **3-wire serial interface**
- **Low voltage / low power**

MS5536-60C is a family of high-resolution factory calibrated pressure sensors. The devices include a piezoresistive pressure sensor and an ADC-Interface IC. The 3-wire serial interface ensures simple communication with any microcontroller. The devices provide digital pressure and temperature information as 16-Bit data word each. In addition 64-Bit of individually calibrated compensation coefficients are stored allowing for a highly accurate software compensation of process spread and temperature effects.

The devices have a very low standby current and automatically enter power down mode after each conversion. The optimum compromise of refresh rate and average current consumption can be defined by the application software.

FEATURES

- 16-Bit ADC Resolution
- Supply voltage 2.2 V to 3.6 V
- Low supply current
- No external components required

APPLICATIONS

- Liquid level metering
- Medical application
- Air flow measurement
- HVAC application

BLOCK DIAGRAM

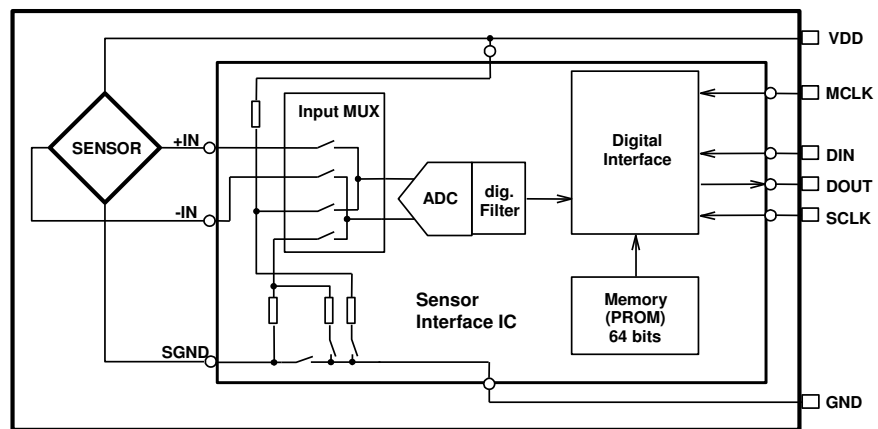


Fig. 1: Block diagram MS5536-60C

PIN CONFIGURATION



Fig. 2: Pin configuration of MS5536-60CPJU

PIN DESCRIPTION

| Pin Name | Pin | Type | Function |
|----------|-----|------|------------------------------|
| N/C | 1 | | Not Connected |
| VDD | 2 | P | Positive Supply Voltage |
| MCLK | 3 | I | Master Clock (32.768kHz) |
| DIN | 4 | I | Data Input |
| DOUT | 5 | O | Data Output |
| SCLK | 6 | I | Serial Data Clock |
| GND | 7 | G | Ground |
| N/C | 8 | | Not Connected |
| N/C | 9 | | Not Connected |
| N/C | 10 | | Not Connected |
| N/C | 11 | | Not Connected |
| N/C | 12 | | Not Connected |
| PV | 13 | N | Negative Programming Voltage |
| PEN | 14 | I | Programming Enable |

NOTE

Pins 13 (PEN) and 14 (PV) are only used by the manufacturer for calibration purposes and should not be connected.

PRESSURE UNIT CONVERSION

| mbar | kPa | bar | mm Hg | PSI | atm | mm H ₂ O | Inches H ₂ O |
|--------|--------|--------|-------|--------|---------|---------------------|-------------------------|
| 60.0 | 6.00 | 0.6000 | 45.0 | 0.872 | 0.05921 | 611.9 | 24.086 |
| 1000.0 | 100.00 | 1.0000 | 750.0 | 14.503 | 0.9869 | 10198 | 401.45 |

ABSOLUTE MAXIMUM RATINGS

| Parameter | Symbol | Conditions | Min | Max | Unit | Notes |
|---------------------------|------------|------------|------|------|------|-------|
| Supply voltage | V_{DD} | | -0.3 | 4 | V | |
| Differential Overpressure | P_{diff} | | | 5 | bar | 1 |
| Storage temperature | T_S | | -40 | +125 | °C | 1 |

NOTES

- Storage and operation in an environment of dry and non-corrosive gases.

RECOMMENDED OPERATING CONDITIONS

(Ta = 25 °C, V_{DD} = 3.0 V unless noted otherwise)

| Parameter | Symbol | Conditions | Min | Typ | Max | Unit |
|--|-----------------------------------|--------------------------|--------|--------|--------|--------------------------------------|
| Supply voltage | V_{DD} | | 2.2 | 3.0 | 3.6 | V |
| Supply current, average (1) during conversion (2) standby (no conversion) | I_{avg} I_{sc} I_{ss} | $V_{DD} = 3.0\text{ V}$ | | 4 1 | 0.1 | μA mA μA |
| Current consumption into MCLK (3) | | MCLK = 32.768 kHz | | | 0.5 | μA |
| Operating pressure range | p | Pressure Range P devices | 0 | | 60 | mbar |
| Operating temperature range | T_a | | 0 | +25 | +100 | °C |
| Conversion time | t_{conv} | MCLK = 32.768 kHz | | | 35 | ms |
| External clock signal (4) | MCLK | | 30.000 | 32.768 | 35.000 | kHz |
| Duty cycle of MCLK | | | 40/60 | 50/50 | 60/40 | % |
| Serial data clock | SCLK | | | | 500 | kHz |

NOTES

- Under the assumption of one conversion every second. Conversion means either a pressure or a temperature measurement started by a command to the serial interface of MS5536-60C.
- During conversion the sensor will be switched on and off in order to reduce power consumption; the total on time within a conversion is about 2 ms. The current specified is active only during this time.
- This value can be reduced by switching off MCLK while MS5536-60C is in standby mode.
- It is strongly recommended that a crystal oscillator be used because the device is sensitive to clock jitter. A square-wave form of the clock signal is a must.

ELECTRICAL CHARACTERISTICS

DIGITAL INPUTS

(T = 0 °C .. 100 °C, V_{DD} = 2.2 V .. 3.6 V)

| Parameter | Symbol | Conditions | Min | Typ | Max | Unit |
|--------------------|-----------------|------------|---------------------|-----|----------------------|------|
| Input High Voltage | V _{IH} | | 80% V _{DD} | | 100% V _{DD} | V |
| Input Low Voltage | V _{IL} | | 0% V _{DD} | | 20% V _{DD} | V |
| Signal Rise Time | t _r | | | 200 | | ns |
| Signal Fall Time | t _f | | | 200 | | ns |

DIGITAL OUTPUTS

(T = 0 °C .. 100 °C, V_{DD} = 2.2 V .. 3.6 V)

| Parameter | Symbol | Conditions | Min | Typ | Max | Unit |
|---------------------|-----------------|------------------------------|---------------------|-----|----------------------|------|
| Output High Voltage | V _{OH} | I _{source} = 0.6 mA | 80% V _{DD} | | 100% V _{DD} | V |
| Output Low Voltage | V _{OL} | I _{sink} = 0.6 mA | 0% V _{DD} | | 20% V _{DD} | V |
| Signal Rise Time | t _r | | | 200 | | ns |
| Signal Fall Time | t _f | | | 200 | | ns |

AD-CONVERTER

(T = 0 °C .. 100 °C, V_{DD} = 2.2 V .. 3.6 V)

| Parameter | Symbol | Conditions | Min | Typ | Max | Unit |
|-----------------|--------|---------------------|-------|-----|--------|------|
| Resolution | | | | 16 | | Bit |
| Linear Range | | | 4'000 | | 40'000 | LSB |
| Conversion Time | | MCLK = 32.768 kHz | | | 35 | ms |
| INL | | Within linear range | -5 | | +5 | LSB |

PRESSURE OUTPUT CHARACTERISTICS

With the calibration data stored in the interface IC of the MS5536-60C, the following characteristics can be achieved:
($V_{DD} = 3.0\text{ V}$ unless noted otherwise)

| Parameter | Conditions | Min | Typ | Max | Unit | Notes |
|-----------------------------------|---|------|------|------|------|-------|
| Resolution | | | 0.05 | | mbar | 1 |
| Pressure Accuracy | $T_a = 20 \dots 40^\circ\text{C}$ MS5536-60C-C: $p = 0 \dots 60\text{ mbar}$ | -0.5 | | +0.5 | mbar | 2 |
| | $T_a = 0 \dots +60^\circ\text{C}$ MS5536-60C-C: $p = 0 \dots 60\text{ mbar}$ | -1 | | +1 | mbar | 2 |
| Maximum Error over Temperature | $T_a = 0 \dots +100^\circ\text{C}$ $p = \text{const. (range } 0 \dots 60\text{ mbar)}$ | -7 | | +3 | mbar | 3 |
| Long-term Stability | 12 months | | -1 | | mbar | 4 |
| Maximum Error over Supply Voltage | $V_{DD} = 2.2 \dots 3.6\text{ V}$ | -0.8 | | 0.8 | mbar | |

NOTES

- 1) A stable pressure reading of the given resolution requires taking the average of 2 to 8 subsequent pressure values due to noise of the ADC.
- 2) Specified values assume an offset adjustment at any given pressure e.g. $p = 0$ prior to the measurement.
- 3) Specified values assume quadratic temperature compensation (Refer to the paragraph "second-order temperature compensation" in the section "FUNCTION").
- 4) The long-term stability is measured with non-soldered devices.

TEMPERATURE OUTPUT CHARACTERISTICS

The temperature information is not required for most applications, but it is necessary to allow for temperature compensation of the output. Reference temperature is 20°C .

($V_{DD} = 3.0\text{ V}$ unless noted otherwise)

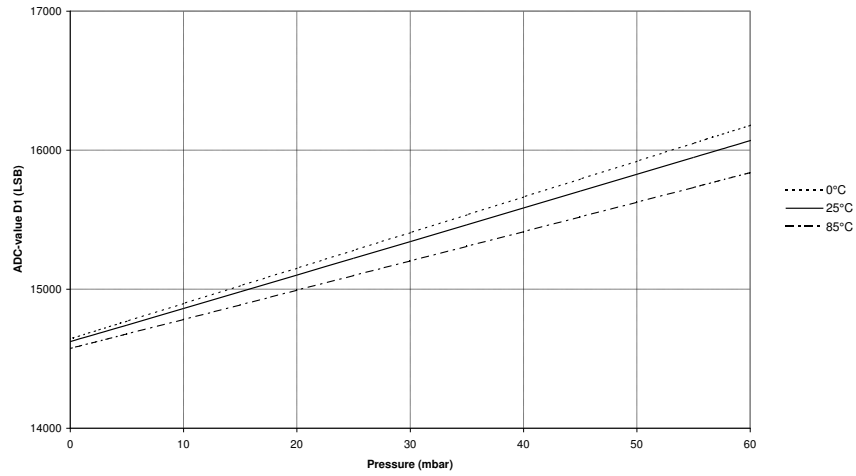
| Parameter | Conditions | Min | Typ | Max | Unit | Notes |
|-----------------------------------|------------------------------------|-------|---------|-------|------------------|-------|
| Resolution | | 0.005 | 0.01 | 0.015 | $^\circ\text{C}$ | |
| Accuracy | $T_a = 20^\circ\text{C}$ | -0.8 | | 0.8 | $^\circ\text{C}$ | |
| | $T_a = 0 \dots +100^\circ\text{C}$ | | ± 2 | | $^\circ\text{C}$ | 1 |
| Maximum Error over Supply Voltage | $V_{DD} = 2.2 \dots 3.6\text{ V}$ | -0.2 | | 0.2 | $^\circ\text{C}$ | |

NOTES

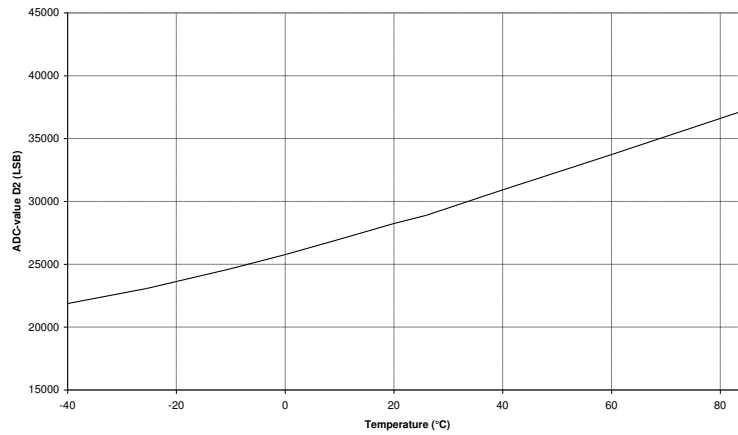
- 1) With the second-order temperature compensation as described in section "FUNCTION". See next section for typical operating curves.

TYPICAL PERFORMANCE CURVES

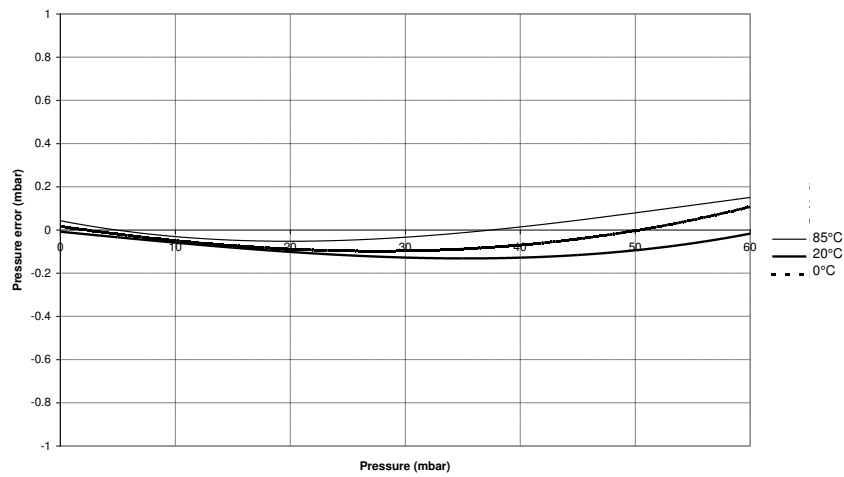
ADC-value D1 vs Pressure (typical)



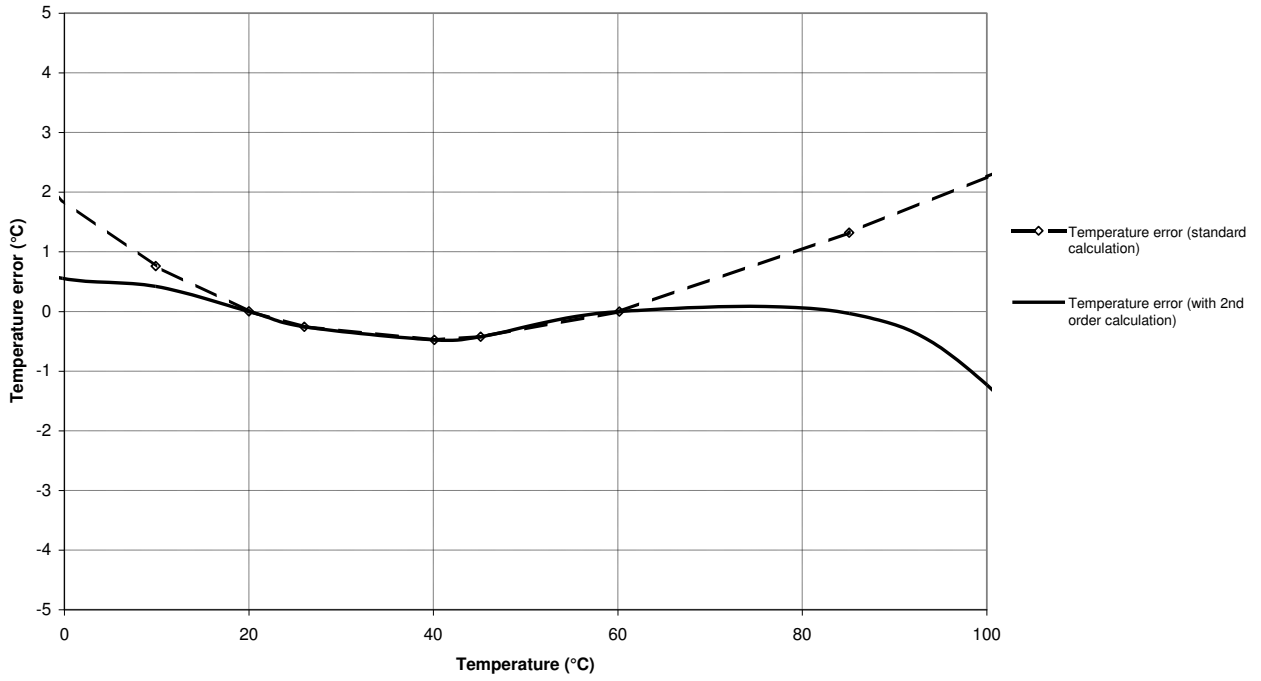
ADC-value D2 vs Temperature (typical)



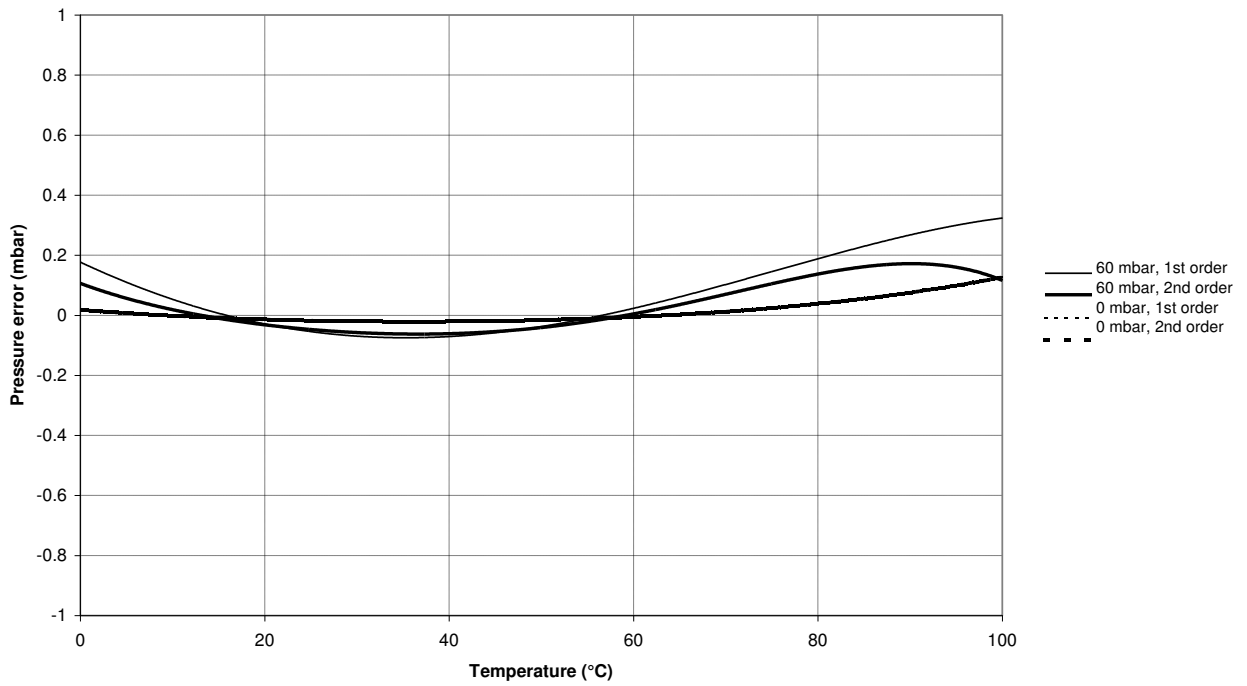
Absolute Pressure Accuracy after Calibration



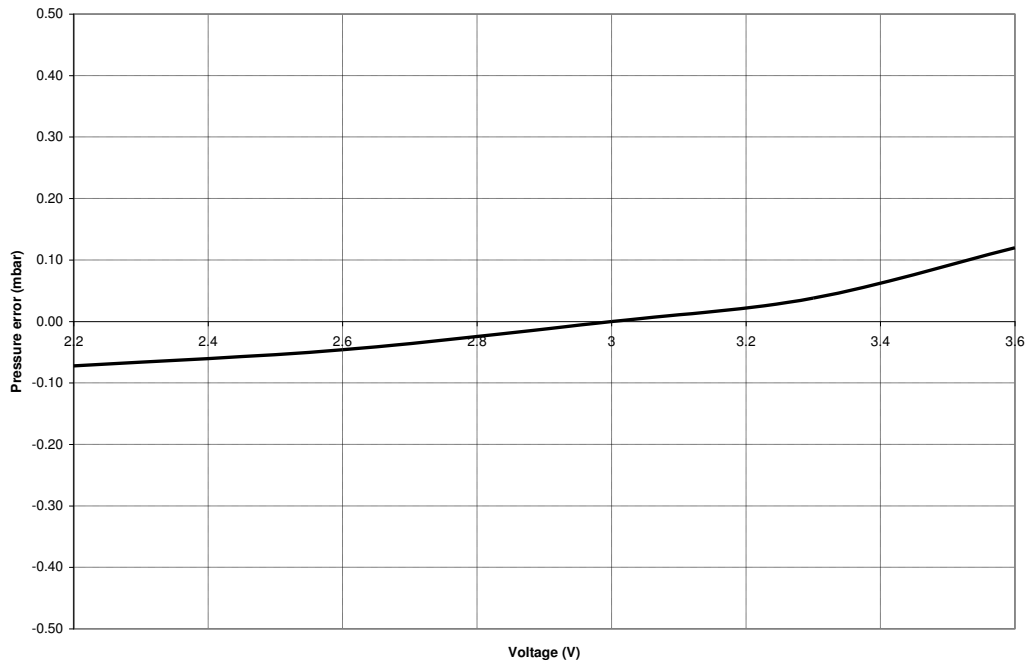
Temperature Error Accuracy vs temperature (typical)



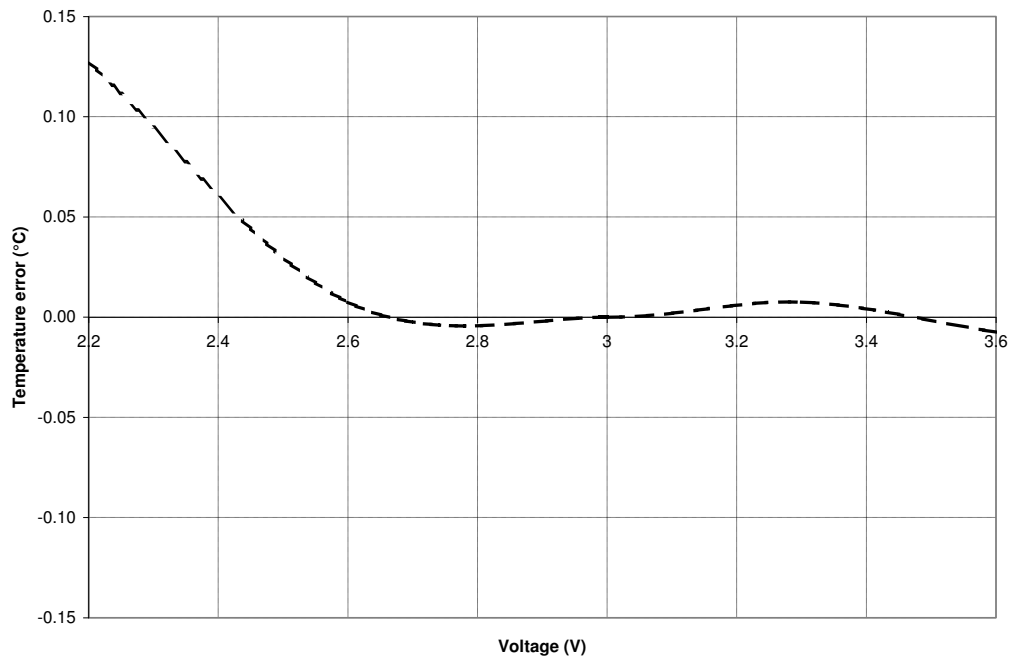
Pressure Error Accuracy vs temperature (typical)



Pressure error vs supply voltage (typical)



Temperature error vs supply voltage (typical)



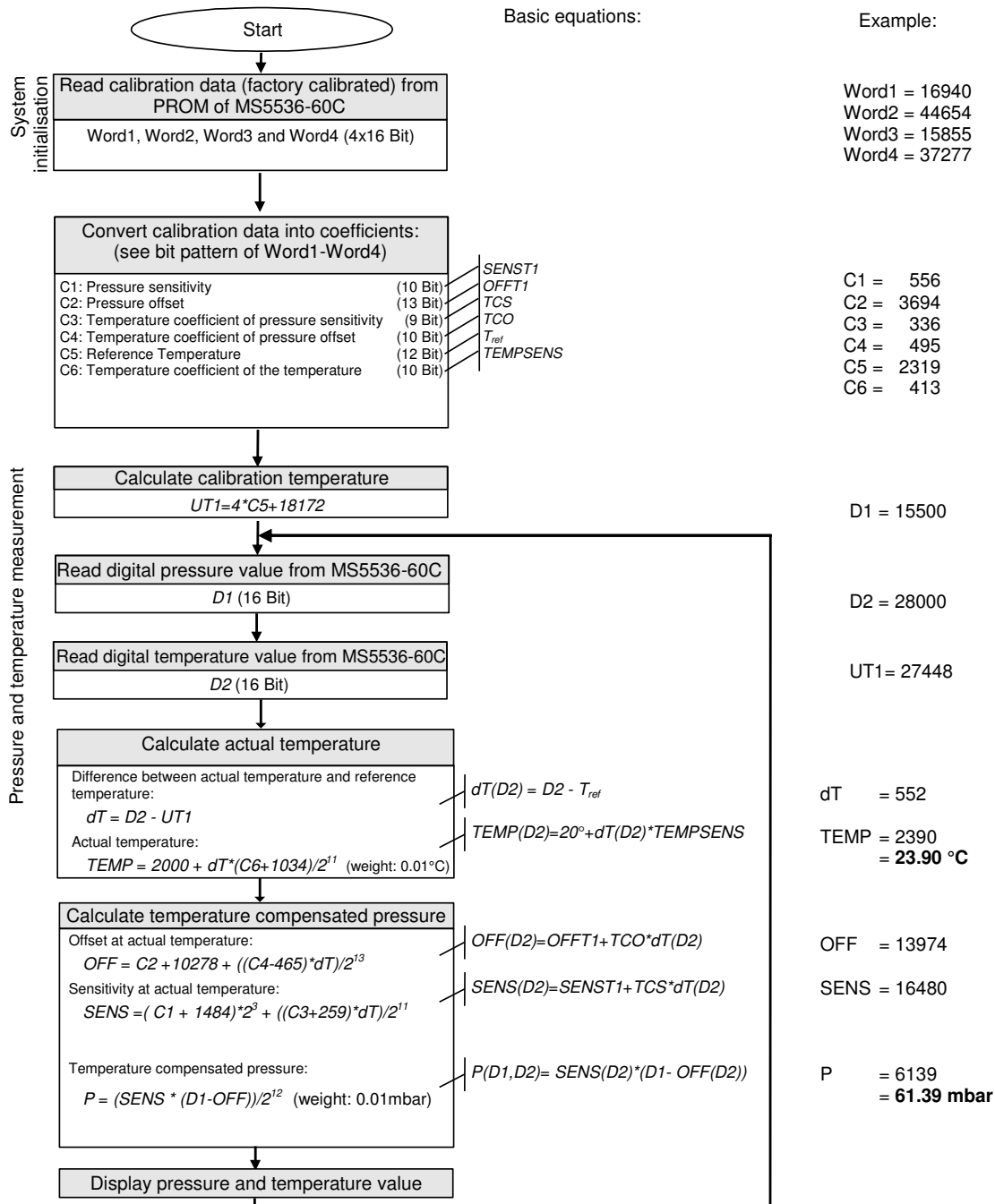


Fig. 3: Flow chart for pressure and temperature reading and software compensation

NOTES

- 1) Readings of D2 can be done less frequently, but the display will be less stable in this case
- 2) For a stable display of 0.1 mm Hg resolution or below, it is recommended to display the average of at least 8 subsequent pressure values.

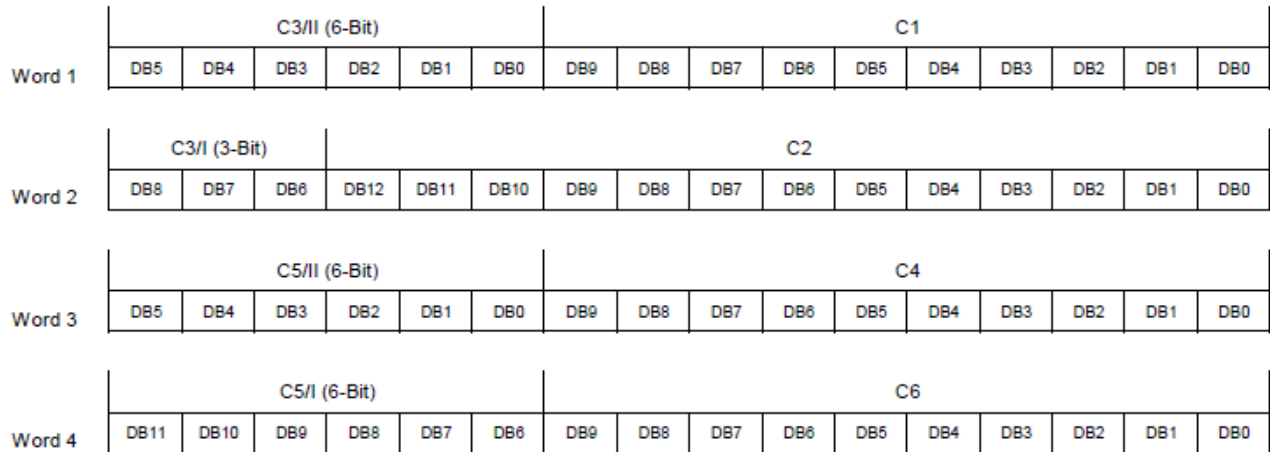


Fig. 4: Arrangement (Bit-pattern) of calibration data in Word1 to Word4

SECOND-ORDER TEMPERATURE COMPENSATION

In order to obtain full temperature accuracy over the whole temperature range, it is recommended to compensate for the non-linearity of the output of the temperature sensor. This can be achieved by correcting the calculated temperature and pressure by a second order correction factor. The second-order factors are calculated as follows:

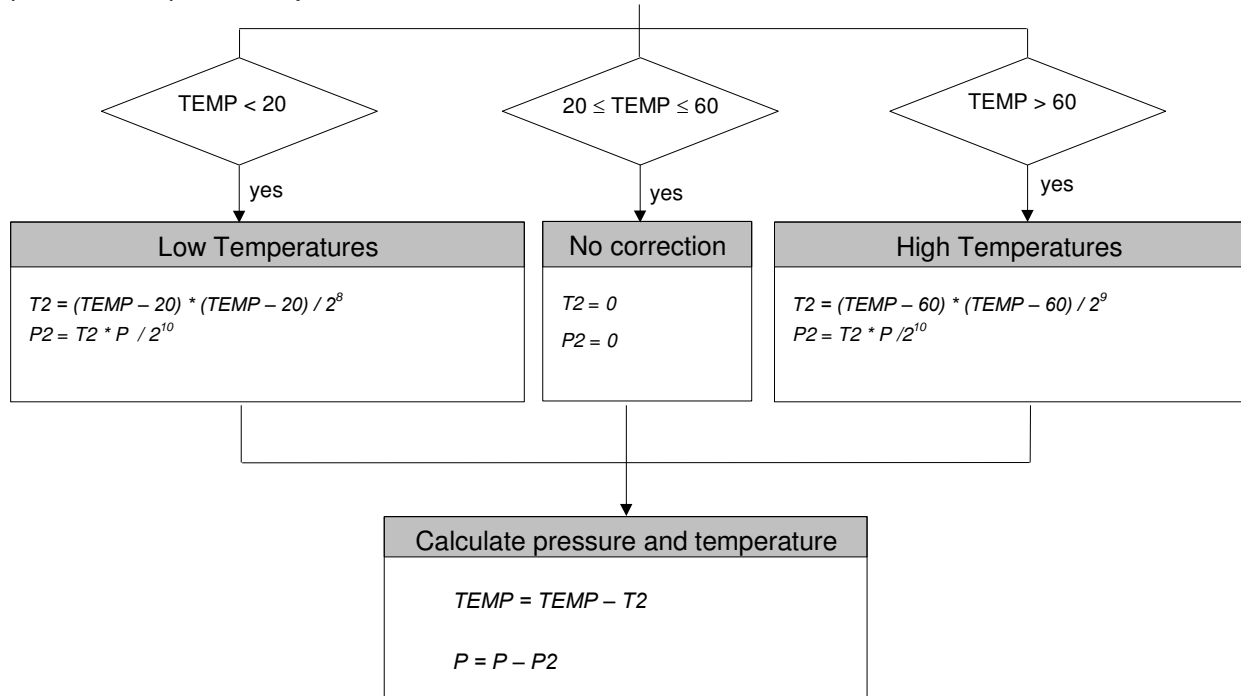


Fig. 5: Flow chart for calculating the temperature to the optimum accuracy.

NOTE

All pressures (P and P2) are in mbar and temperatures (TEMP and T2) are in °C.

SERIAL INTERFACE

The MS5536-60C communicates with microprocessors and other digital systems via a 3-wire synchronous serial interface as shown in Fig. 1. The SCLK (Serial Clock) signal initiates the communication and synchronizes the data transfer with each Bit being sampled by the MS5536-60C on the rising edge of SCLK and each Bit being sent by the MS5536-60C on the rising edge of SCLK. The data should thus be sampled by the microcontroller on the falling edge of SCLK and sent to the MS5536-60C with the falling edge of SCLK. The SCLK-signal is generated by the microprocessor's system. The digital data provided by the MS5536-60C on the DOUT pin is either the conversion result or the software calibration data. In addition the signal DOUT (Data Out) is also used to indicate the conversion status (conversion-ready signal, see below). The selection of the output data is done by sending the corresponding instruction on the pin DIN (Data Input).

Following is a list of possible output data instructions:

- Conversion start for pressure measurement and ADC-data-out "D1" (Figure 6a)
- Conversion start for temperature measurement and ADC-data-out "D2" (Figure 6b)
- Calibration data read-out sequence for word 1 and word 3 (Figure 6c)
- Calibration data read-out sequence for word 2 and word 4 (Figure 6d)
- RESET sequence (Figure 6e)

Every communication starts with an instruction sequence at Pin DIN. Fig. 6 shows the timing diagrams for the MS5536-60C. The device does not need a 'Chip select' signal. Instead there is a Start Sequence (3-Bit high) before each Setup Sequence and Stop Sequence (3-Bit low) after each Setup Sequence. The Setup Sequence consists in 4-Bit that select a reading of pressure, temperature or calibration data. In case of pressure- (D1) or temperature- (D2) reading the module acknowledges the start of a conversion by a low to high transition at Pin DOUT during the last Bit of the Stop Sequence.

Two additional clocks at SCLK are required after the acknowledge signal. Then SCLK is to be held low by the microcontroller until a high to low transition on DOUT indicates the end of the conversion.

This signal can be used to create an interrupt in the microcontroller. The microcontroller may now read out the 16-Bit word by giving another 17 clocks on the SCLK pin. It is possible to interrupt the data read-out sequence with a hold of the SCLK signal. **It is important to always read out the last conversion result before starting a new conversion.**

The RESET-sequence is special as its unique pattern is recognized by the module in any state. By consequence it can be used to restart if synchronization between the microcontroller and the MS5536-60C has been lost. This sequence is 21-Bit long. The DOUT signal might change during that sequence (see Fig. 6e). It is recommended to send the RESET sequence before first conversion sequence to avoid hanging up the protocol permanently in case of electrical interference.

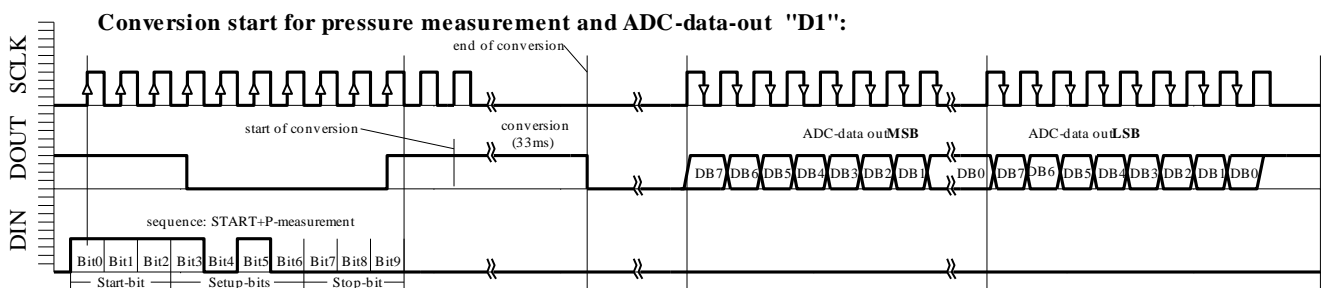


Fig. 6a: D1 ACQUISITION sequence

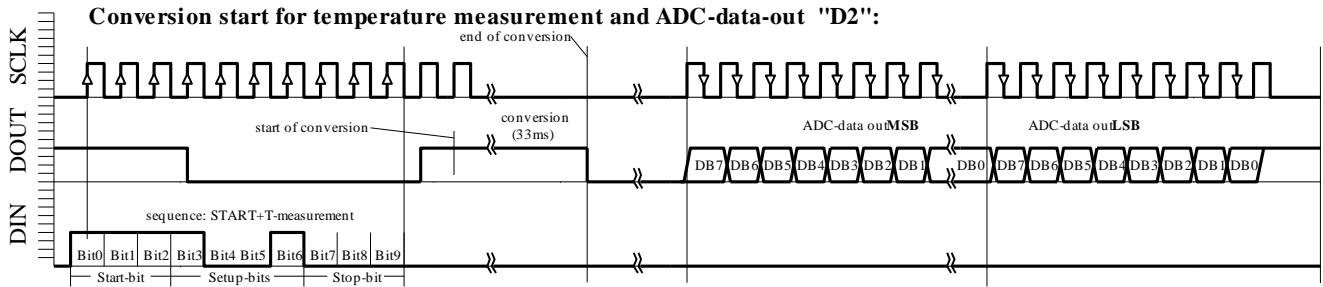


Fig. 6b: D2 ACQUISITION sequence

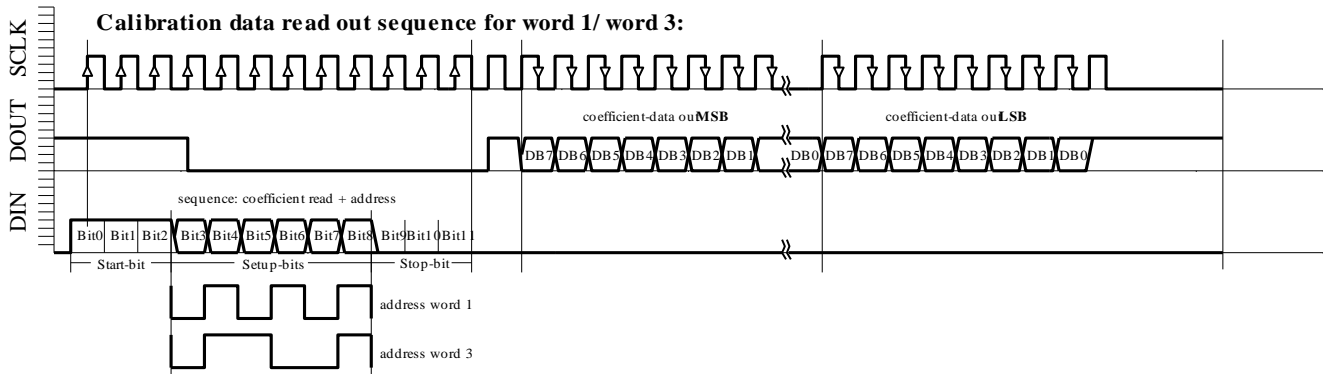


Fig. 6c: Word1, Word3 READING sequence

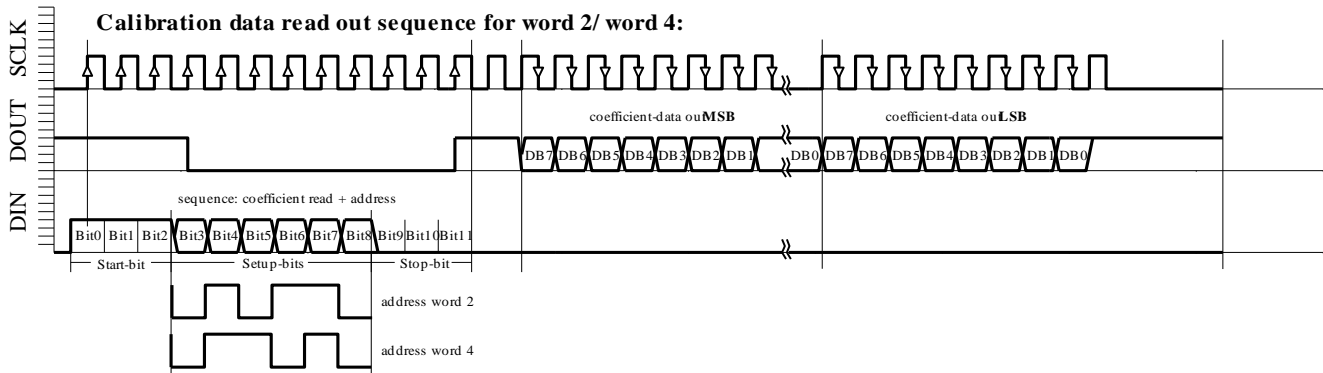


Fig. 6d: W2, W4 READING sequence

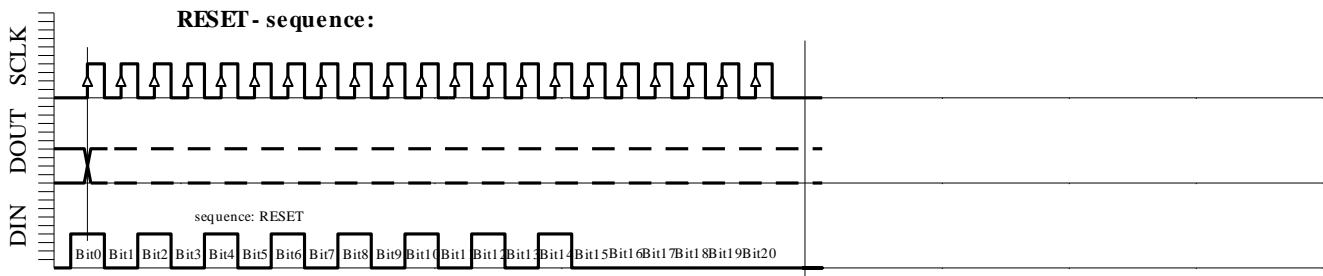


Fig. 6e: RESET sequence (21 bit)

APPLICATION INFORMATION

GENERAL

The MS5536-60C consists in a sensor die and a mixed signal interface IC on a single ceramic substrate with Pb-free leads attached. It is compatible with standard PCB-assembly technologies (Pick and Place followed by IR-reflow soldering). Single sided PCB layout is possible. The device directly interfaces to a standard microcontroller, no costly external components like Instrumentation Amplifiers or A/D converters are required. A mark on the ceramic substrate indicates pin 1 (see Fig. 2).

The silicon pressure transducer, the IC and the bonding wires are protected against humidity by a silicone gel and against mechanical damage by a plastic cap. The cap is also used as the pressure port. The MS5536-60C does not show pressure hysteresis effects.

The simple digital 3 wire synchronous serial interface eliminates all sensitive analogue signal lines on the PCB with their often critical routing and guarding issues. The protocol does not require specific interface cells and can be implemented on any microcontroller using standard I/Os. The required external clock-signal of 32.768 kHz is standard in the watch industry and readily available in most hand-held applications.

The MS5536-60C is well suited for battery powered portable devices. This is due to the low supply voltage of 2.2V and the small amount of computing power required to calculate the compensated values for pressure and temperature (use of 4-Bit microcontrollers is possible). No costly end-of-line calibrations are required as the MS5536-60C contains factory stored calibration coefficients.

In order to further enhance accuracy it is recommended to periodically recalibrate the device offset in the application software. This can be achieved by reading the compensated pressure in a known state, preferably at $\Delta p=0$ (e.g. Blood Pressure Meters with vent open). The detected difference between displayed and actual pressure can be memorized and subtracted from following readings.

The pressure range and port configurations make the MS5536-60C well suited for applications like blood-pressure metering, air flow and pressure measurements in HVAC-systems and liquid level detection.

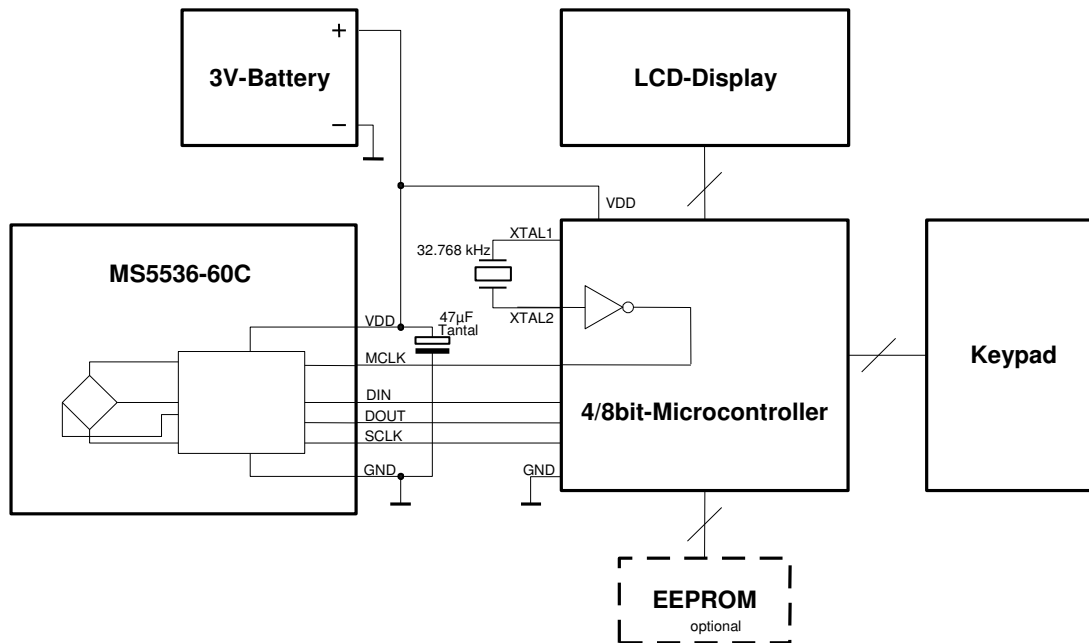


Fig. 7: Application example of the MS5536-60C for a battery powered device

DEVICE PACKAGE OUTLINES

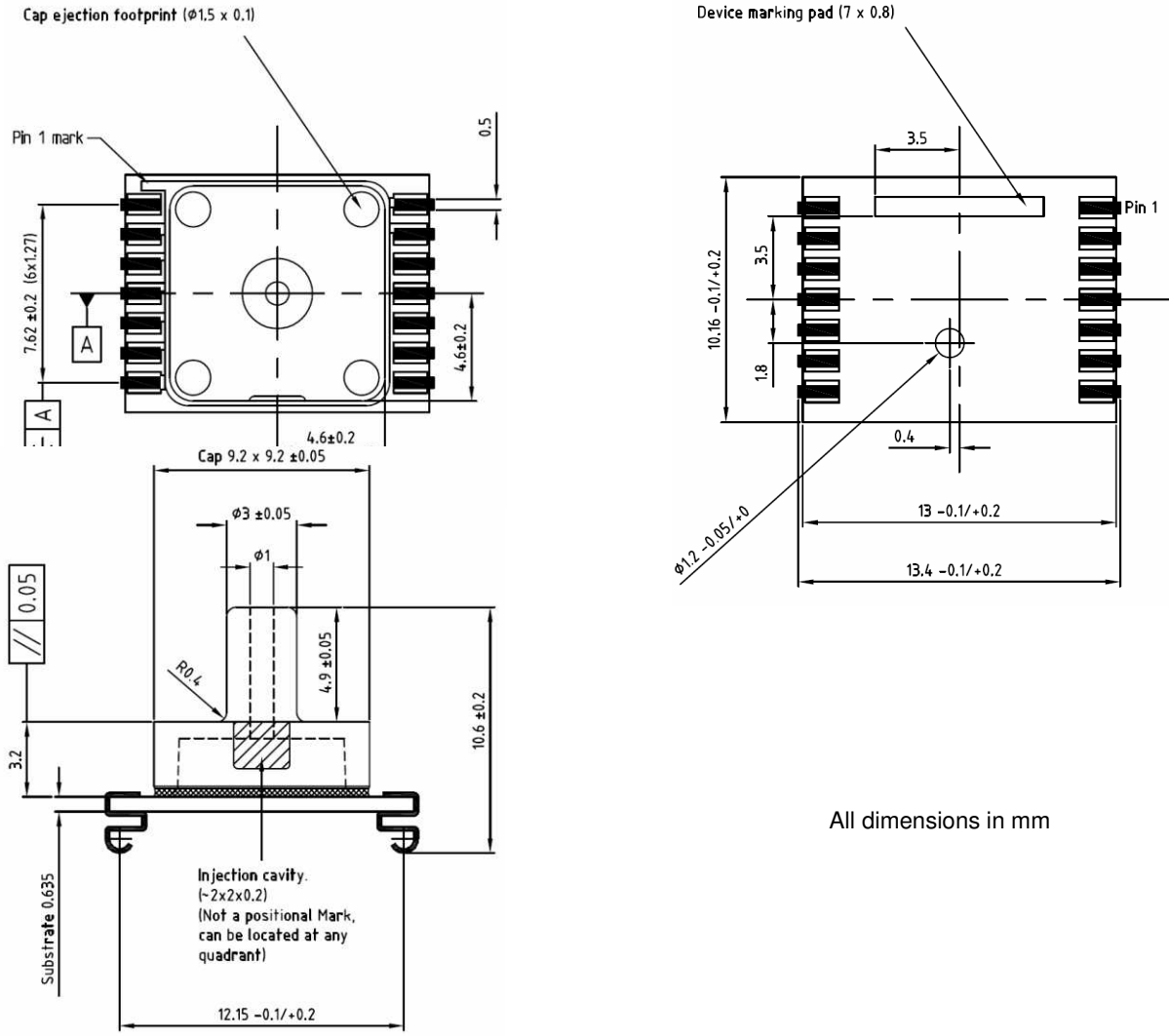
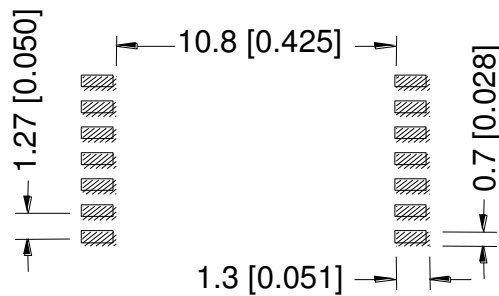


Fig. 8: Device package outlines of MS5536-60C-CPJU

PAD LAYOUT FOR MS5536-60CPJU



All dimensions in mm [inch]

Fig. 9: recommended pad-layout for MS5536-60C-CPJU / MS5536-60C-CNJU

ASSEMBLY

DECOUPLING CAPACITOR

Particular care must be taken when connecting the device to power supply. A 47 μ F tantalum capacitor must be placed as close as possible of the MS5536-60C's VDD pin. This capacitor will stabilise the power supply during data conversion and thus, provide the highest possible accuracy.

SOLDERING

Please refer to the application note AN808 for all soldering issues.

MOUNTING

The MS5536-60C can be placed with automatic Pick&Place equipment using a special vacuum nozzle. It will not be damaged by the vacuum.

For a good mechanical stability, it is important to solder all contact pads. The Pins PEN and PV must be left open or connected to Vdd. **Do not connect to GND!**

LIGHT SENSITIVITY

The MS5536-60C is protected against sunlight by the cap on front side. It is, however, important to note that the sensor may still be slightly sensitive to sunlight, especially to infrared light sources (Light may also enter the negative pressure port on backside). This is due to the strong photo effect of silicon. As the effect is reversible there will be no damage, but the user has to take care that in the final product the sensor cannot be exposed to direct light during operation. This can be achieved for instance by placing mechanical parts with holes in such that light cannot pass.

CONNECTING THE PRESSURE PORT

The best connection to the pressure port is achieved with a flexible tube fitted to the full length of the nozzle. Care should be taken to keep the nozzle clean. The tube should be flexible enough to minimize the mechanical stress on the module (see Fig. 10)

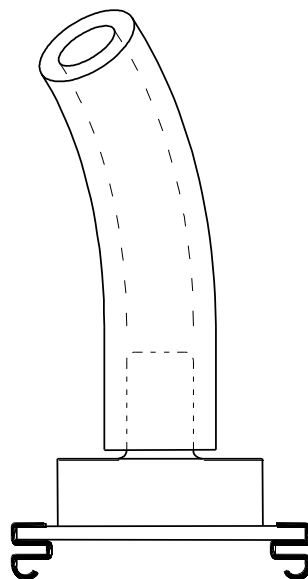


Fig. 10: connection to pressure port

CLEANING

The MS5536-60C has been manufactured under cleanroom conditions. It is therefore recommended to assemble the sensor under class 10'000 or better conditions. Should this not be possible, it is recommended to protect the sensor opening during assembly from entering particles and dust. To avoid cleaning of the PCB, solder paste of type 'No-Clean' shall be used.

CLEANING MIGHT DAMAGE THE SENSOR!

ESD PRECAUTIONS

The electrical contact pads are protected against ESD up to 4 kV HBM (human body model). It is therefore essential to ground machines and personal properly during assembly and handling of the device. The MS5536-60C is shipped in antistatic transport boxes. Any test adapters or production transport boxes used during the assembly of the sensor shall be of an equivalent antistatic material.

ORDERING INFORMATION

| Product Code | Product | Art. No | Package | Comments |
|---------------|---------------------------------------|-----------|---|----------|
| MS5536-60CPJU | 60 mbar SMD Gage Pressure Module RoHS | 325536010 | Gage with plastic cap, upright nozzle, and vent hole on backside, J-Lead type | |

联系方式

深圳市亿为测控电子有限公司
Shenzhen Bill-Well Measurement & Control Electronics Co., Ltd.

地址：深圳市南山区创业路怡海广场东座 2408 邮编：518000

电话：(+86) 0755 2641 9890 传真：(+86) 0755 2641 9680

电子邮箱：sales@bill-well.com